

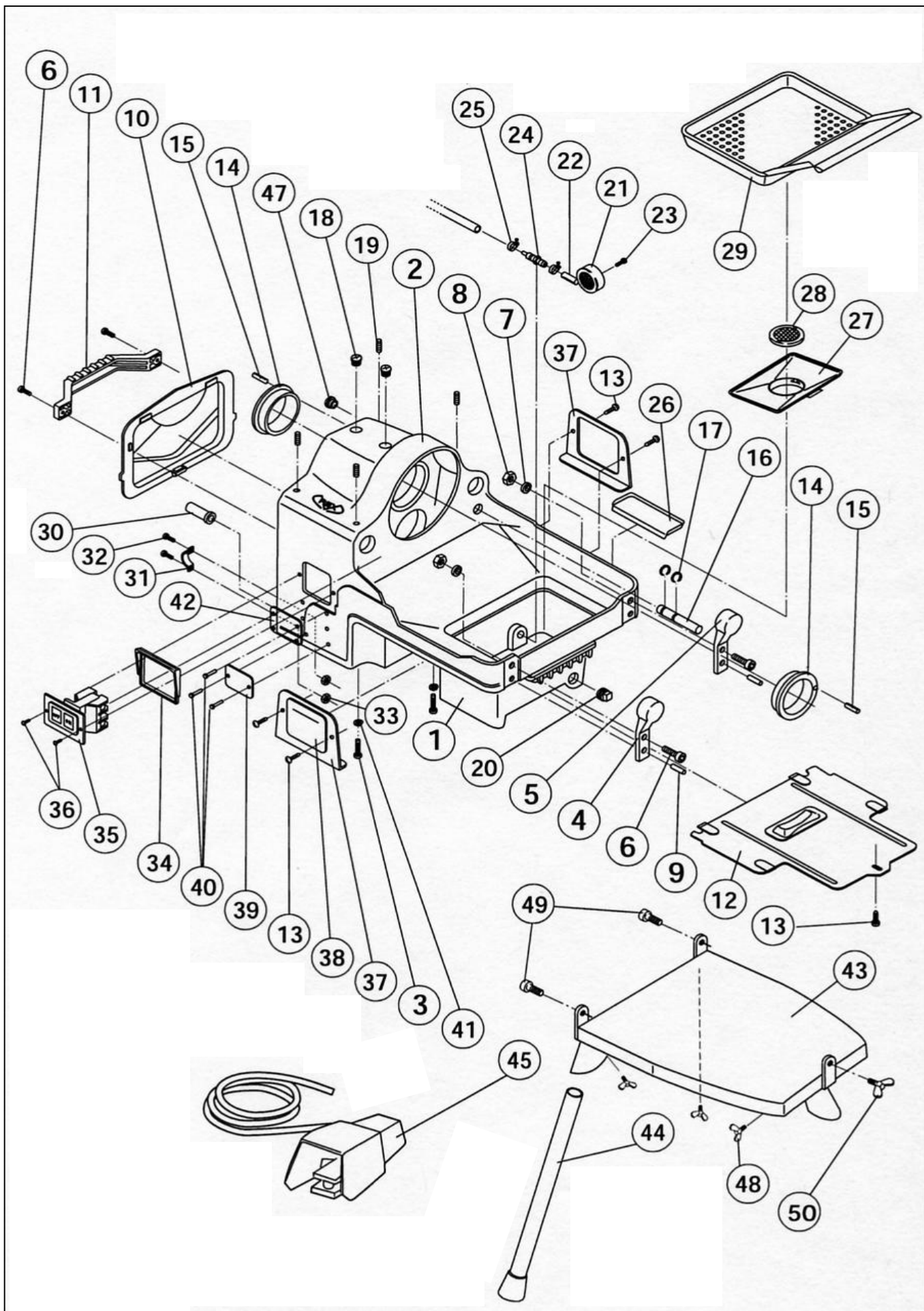
Wheeler-Rex Model 7890 (S40A) Pipe Threading Machine Parts List



Wheeler Mfg. Div Rex Intl USA Inc.
3744 Jefferson Road
Ashtabula, OH 44004
Tel: 800-321-7950
Fax: 440-992-2925
www.wheelerrex.com
wheeler@wheelerrex.com

REX Industries Ltd.
www.rexind.co.jp

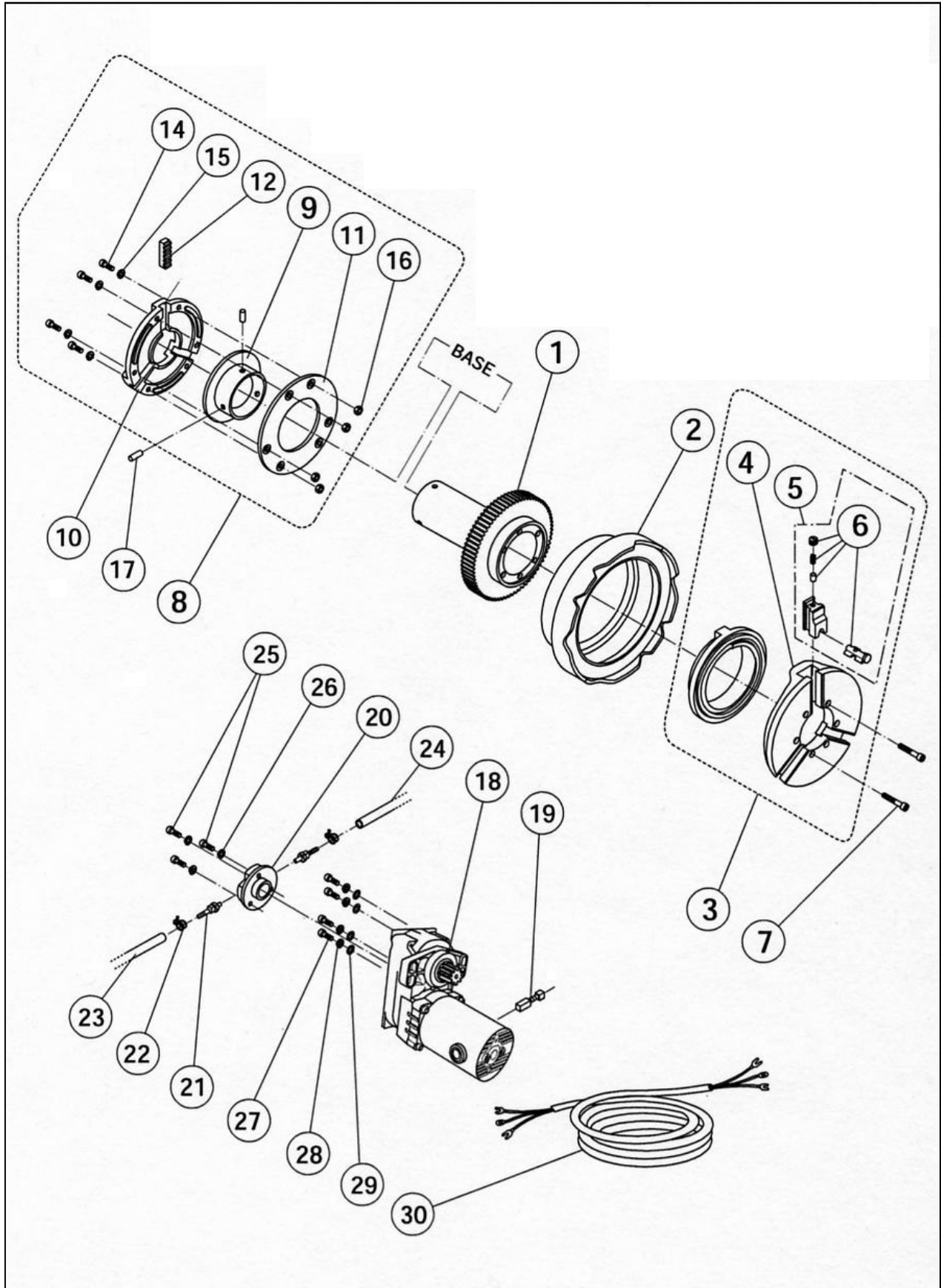
7890 Base



7890 Base

No.	Wheeler P/N	Description	Set	Rex P/N	Comments
1	606863	Base Casting Assembly	1	G201	as set with No. 2, 3 & 41
2	606864	Gear Cover	1	G202	
3	608865	Hex socket hd cap screw (M6x15)	2	#0001	
4	601529	Left Support	1	G013	
5	601530	Right Support	1	G016	
6	600129	Socket hd cap screw (M8x25)	4	W083	
7	600130	Spring Washer (8)	2	WG08	
8	600328	Nut (M8)	2	WC08	
9	600256	Spring Pin (6x20)	2	WL64	
10	601531	Rear Cover	1	G035	
11	601532	Rear Grip	1	G038	
12	601533	Bottom Cover	1	G034	
13	600329	Round hd machine screw (M5x8)	5	W251	
14	601534	Main shaft bearing	2	G005	
15	600127	Spring pin (4x10)	2	WL41	
16	606443	Oil tube cover	1	N609	=R50AV
17	600654	Snap Ring (outside 16)	2	WW16	
18	600729	Oil cap	2	N039	
19	600144	Hex socket hd set screw (cone) (M8x14)	4	W68A	
20	600145	Drain plug (R1/2)	1	WA46	
21	600731	Strainer	1	N048	
22	600733	Oil intake line suction tube A (55mm)	1	N049	
23	600732	Round hd tapping screw (M5x8)	1	WA55	
24	600730	Nipple	1	T056	
25	600213	Pipe band (10mm)	2	ZJ50	
26	606523	Oil pan	1	N624	=R50AV
27	601539	Tank upper cover	1	G030	
28	600735	Oil filter	1	N029	
29	606866	Scrap receiver	1	G206	
30	606455	Cord bush	1	7021	
31	606454	Binder C-15	1	7098	
32	600656	Round hd machine screw (M4x20)	2	W245	
33	600141	Nut (M4)	2	WC04	
34	606867	Switch fixed plate	1	N041	
35	606868	Switch	1	F101	
36	606869	Oval hd machine screw (M4x12)	2	WA4A	
37	601544	Side cover	2	G036	
38	606833	Side cover label	1	N126	
39	606870	Name plate	1	G215	
40	600621	Rivet (#4x5)	6	WN34	
41	600132	Spring washer (6)	2	WG06	
42	606456	Warning plate	1	L099	
43	601549	Pipe stand base	1	G062	
44	600741	Pipe stand with leg cap	3	N121+N125	
45	901	Footswitch			
46					
47	606457	Cap	1	N054	
48	606871	Wing screw (M8x15)	3	WA61	
49	600438	Socket hd cap screw (M6x12)	2	W061	
50	601551	Wing screw (M10x35)	1	#0002	

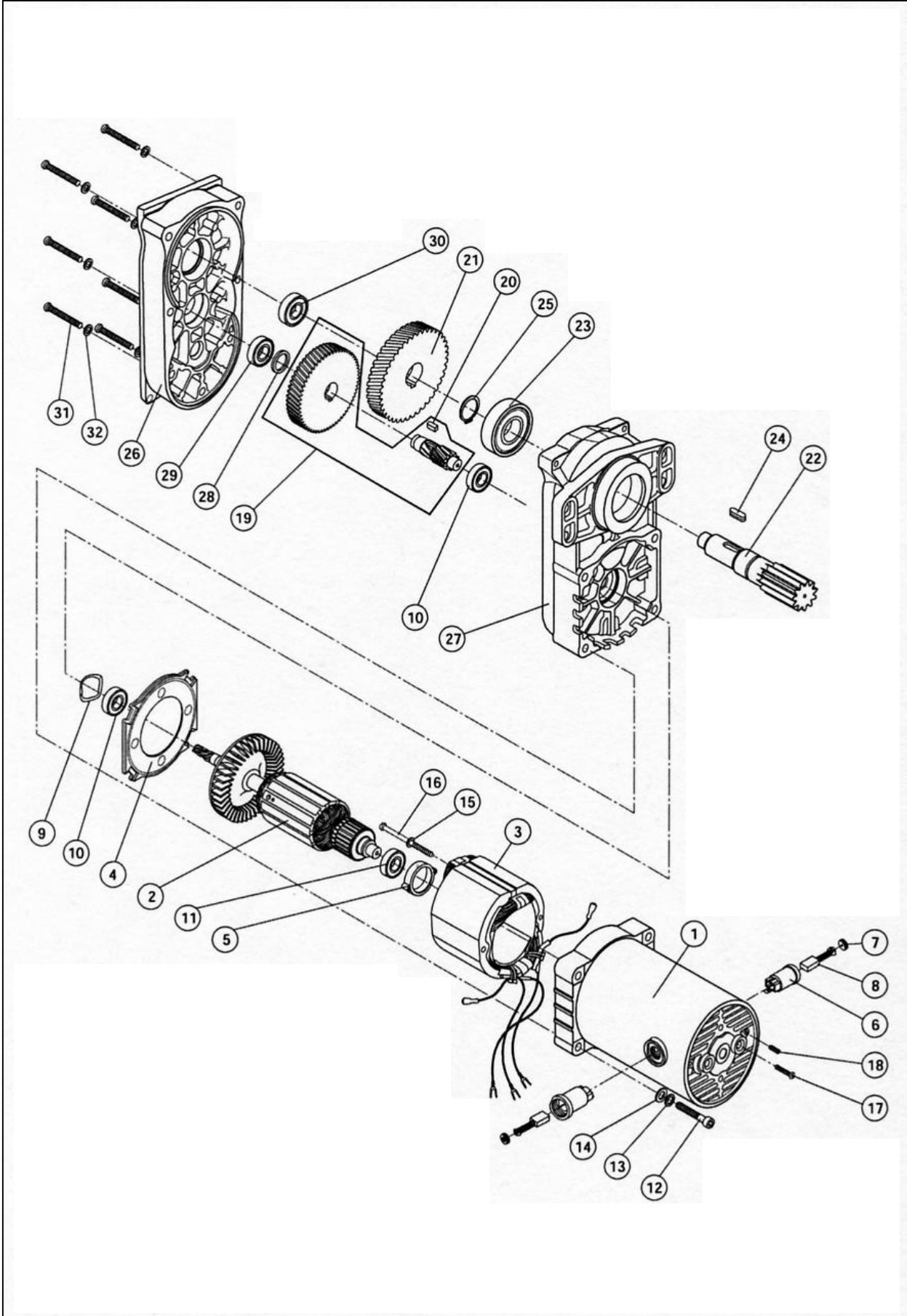
7890 Main Shaft, Motor



7890 Main Shaft, Motor

No.	Wheeler P/N	Description	Set	Rex P/N	Comments
1	601554	Main shaft with gear	1 set	02GS	
2	601555	Hand wheel	1	G907	
3	600868	Chuck complete set (RT-RT)	1 set	G009	
4	601556	Chuck body	1	GH00	
5	601558	Chuck jaw set with no. 6	1 set	G1CJS	
6	60323	Chuck jaw insert set (RT)	1 set	90RT	
7	600156	Socket hd cap screw (M6x45)	6	W068	
8	601565	Rear chuck complete set	1 set	G008	
9	600953	Rear scroll	1	G0S3	
10	601562	Rear chuck receptacle	1	G0S1	
11	601564	Rear chuck cover	1	G0S2	
12	600159	Rear chuck jaw	1 set	G0SS	
13					
14	600160	Round hd cap screw (M4x14)	6	#0004	
15	600161	Spring washer (4)	6	WG04	
16	600141	Nut (M4)	6	WC04	
17	600163	Roll pin (6x12)	3	WM62	
18	606872	Motor (115V)	1	G212	
19	606665				
20	609040	Gear Pump (oil pump)	1	9010	
21	601035	Joint	2	1035	
22	600213	Pipe band (10mm)	2	ZJ50	
23	601537	Oil intake line suction tube (350mm)	1		
24	606873	Oil intake line suction tube (645mm)	1		
25	600131	Socket hd cap screw (M6x16)	3	W062	
26	600132	Spring washer (6)	3	WG06	
27	601542	Socket hd cap screw (M8x35)	4	W084	
28	600130	Spring washer (8)	4	WG08	
29	600245	Washer (8)	4	W181	
30	600139	Capyre cord	1 set	Z992	
31					
32					
33					
34					
35					
36					
37					
38					
39					
40					

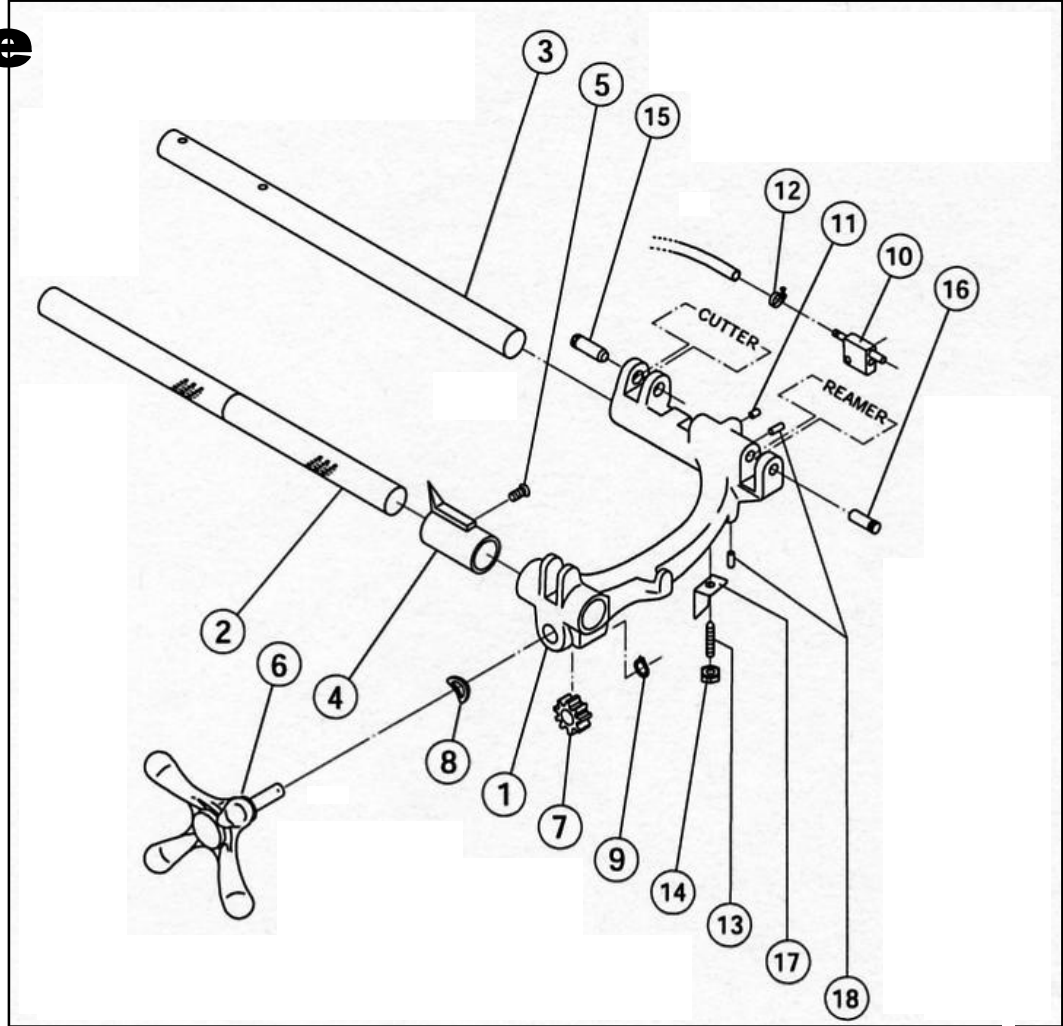
7890 Motor



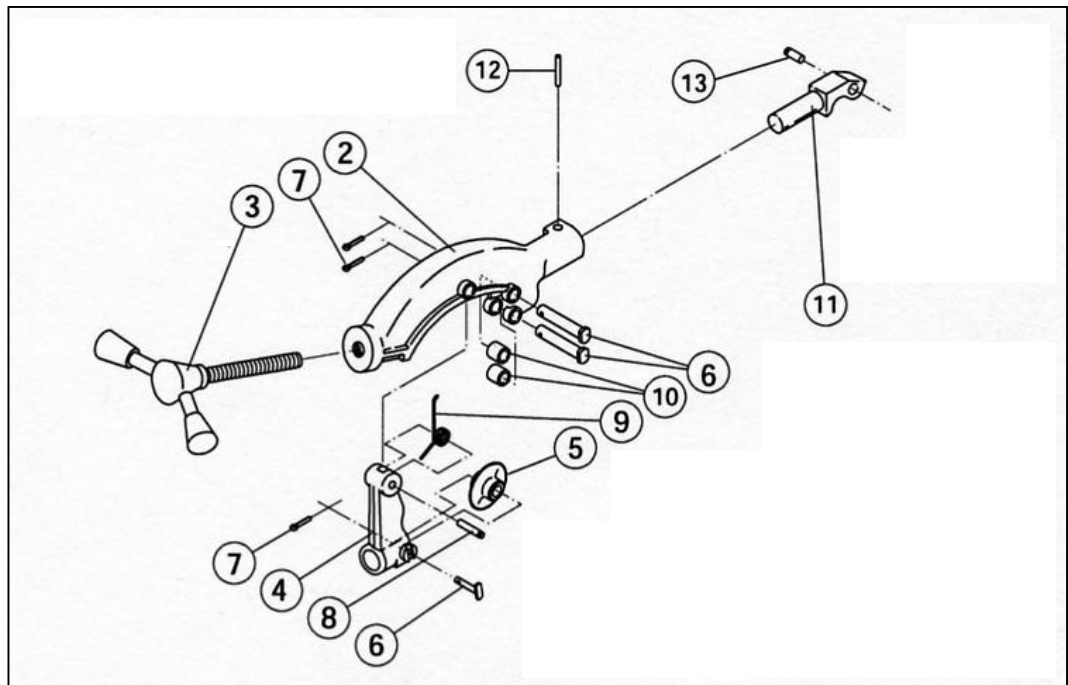
7890 Motor

No.	Wheeler P/N	Description	Set	Rex P/N	Comments
1	606879	Housing	1	G2M25	
2	606880	Armature (115V)	1	G2M02	
3	606881	Stator (115V)	1	G2M06	
4	606882	Air vent	1	G2M27	
5	606883	Bearing support	1	G2M29	
6	606884	Carbon brush holder	2	G2M16	
7	606885	Carbon brush cap	2	G2M17	
8	606665	Carbon brush (2pcs/set)	1 set	MYM2	same as 7991
9	606886	Wave washer (BWW629)	1	#0005	
10	606676	Bearing (600ZZ)	2	S374	
11	606887	Bearing (629ZZ)	1	KM09	
12	600222	Socket hd cap screw (M6x35)	4	W006	
13	606888	Spring washer (M6-black)	4	WG6A	
14	606889	Washer (M6-black)	4	W161	
15	606891	Spring washer	2	#0006	
16	606890	Tapping screw	2	#0007	
17	606892	Round hd machine screw (M4x15:black)	2	#0008	
18	606893	Hex socket hd set screw (M5-10)	2	#0009	
19	606894	First gear set	1 set	G2M20	
20	606897	Key 4x4x10	1	#0012	
21	606898	Second gear	1	G2M21	
22	606899	Final pinion gear	1	G2NM22	
23	601523	Bearing (6204ZZ)	1	GM30	
24	606900	Key (5x5x15)	1	#0010	
25	600664	Snap Ring (#20)	1	WW20	
26	606901	Gear Cover	1	G2M26	
27	606902	Inner Cover	1	G2M28	
28	606903	First Pinion Gear Collar	1	#0011	
29	606678	Bearing (6001ZZ)	1	J300	
30	600115	Bearing (6201ZZ)	1	I202	
31	602012	Rd Hd Machine Screw (M5x40)	7	W258	
32	600124	Spring Washer M5)	7	WG05	

7890 Carriage



7890 Cutter



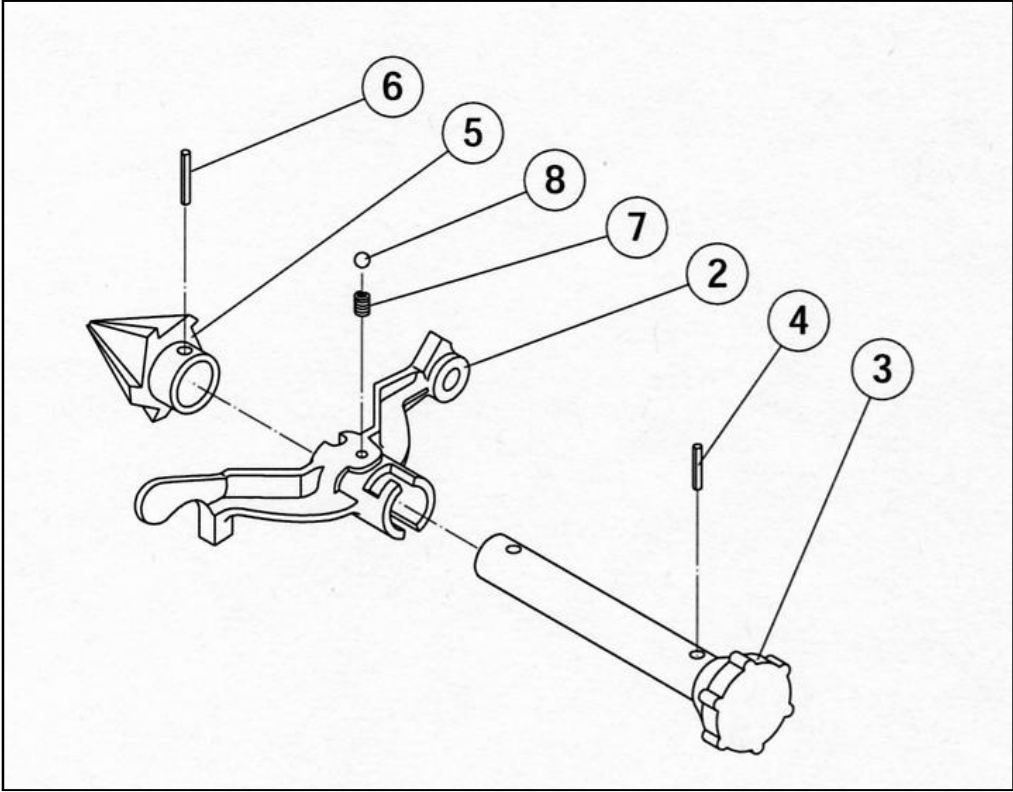
7890 Carriage

No.	Wheeler P/N	Description	Set	Rex P/N	Comments
1	606874	Carriage	1	G200	As set w/606487
2	606875	Carriage Support Bar A	1	G204	as set with N051
3	606876	Carriage Support Bar B	1	G205	
4	606877	Security collar	1	G910	
5	600179	Round hd machine screw (M5x8)	1	W251	
6	601569	Carriage handle with feed gear shaft	1	G014	
7	607515	Carriage feed gear	1	A515	
8	600810	Wave Washer	2	WH20	
9	601568	Snap ring (outside 19)	1	WW19	
10	601564	Oil tube connector	1	G044	
11	606488	Ball plunger (10)	1	G861	
12	600213	Pipe band (10mm)	1	ZJ50	
13	600659	Hex socket hd set screw (Cone M6x15)	1	W665	
14	600811	Nut (M6)	1	WC06	
15	601076	Cutter arm stop pin	1	1076	= No. 13 of cutter
16	601585	Reamer holder stop pin	1	G056	
17	606878	Oil cover	1	G211	
18	606487	Plug pin	2	N051	
19					
20					

7890 Cutter

No.	Wheeler P/N	Description	Set	Rex P/N	Comments
1	600869	Cutter Complete Set	1	OGCU1S	As set No. 1-13
2	601577	Cutter Frame	1	G020	
3	601578	Cutter handle with feed screw	1	G021	
4	601579	Cutter guide	1	G024	
5	60324	Cutter wheel	1	135076	
6	602471	Cutter pin	3	G039	
7	600171	Spring cotter (#2. 3x15)	3	WN120	
8	601580	Cutter guide pin	1	G51	
9	609025	Spring	2	9025	
10	605074	Cutter roller	2	G029	
11	601581	Cutter arm	1	G023	
12	604072	Cutter frame stop pin	1	4072	
13	601076	Cutter arm stop pin	1	1076	=No. 15 of carriage
14					
15					
16					
17					
18					
19					
20					

7890 Reamer



7890 Die Head

