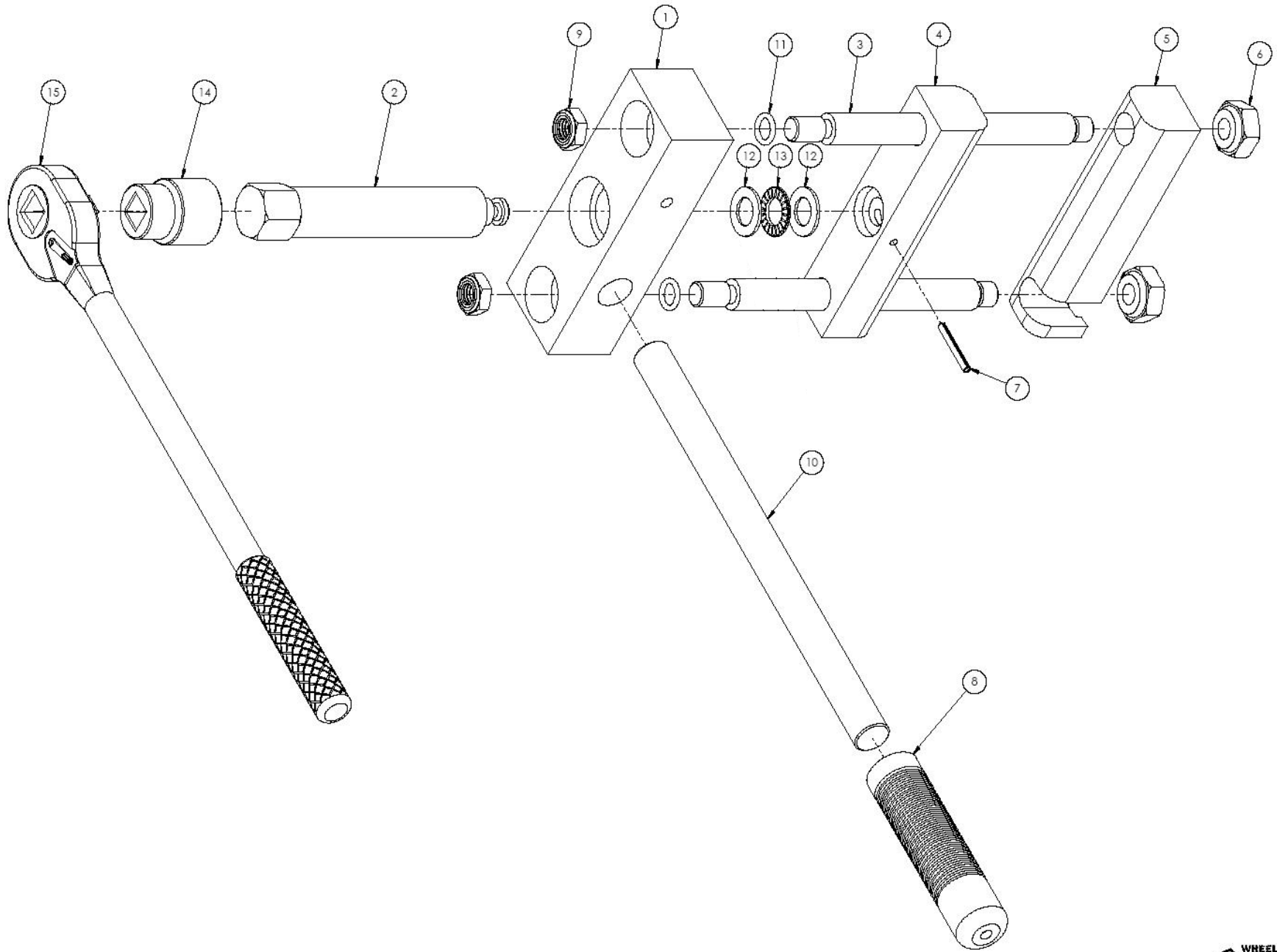


3744 Jefferson Rd., Ashtabula, OH 44005
DESCRIPTION:
SHUT OFF TOOL
PART NO.



3744 Jefferson Rd., Ashtabula, OH 44005
 DESCRIPTION:
 SHUT OFF TOOL
 PART NO.

ITEM NO.	PART NUMBER	DESCRIPTION	QTY
1	220176	HEAD	1
2	221206	COMPRESSOR SCREW	1
3	65141	GUIDE ROD	2
4	221195	TOP DIE (MACHINED)	1
5	221204	BOTTOM DIE	1
6	65142	GUIDE ROD NUT	2
7	1708	5/32 DIA x 1 1/4" ROLL PIN	1
8	154	GRIP	1
9	3828	1/2"-13 ESNA NUT	2
10	6526	HANDLE (threaded on one end)	1
11	275746	O-RING -111	2
12	275828	THRUST RACE, TRA-613	2
13	275827	THRUST BEARING, NTA-613	1
14	506032	1" SOCKET	1
15	6515	RATCHET, 1/2" SQ. DRIVE MALE	1