

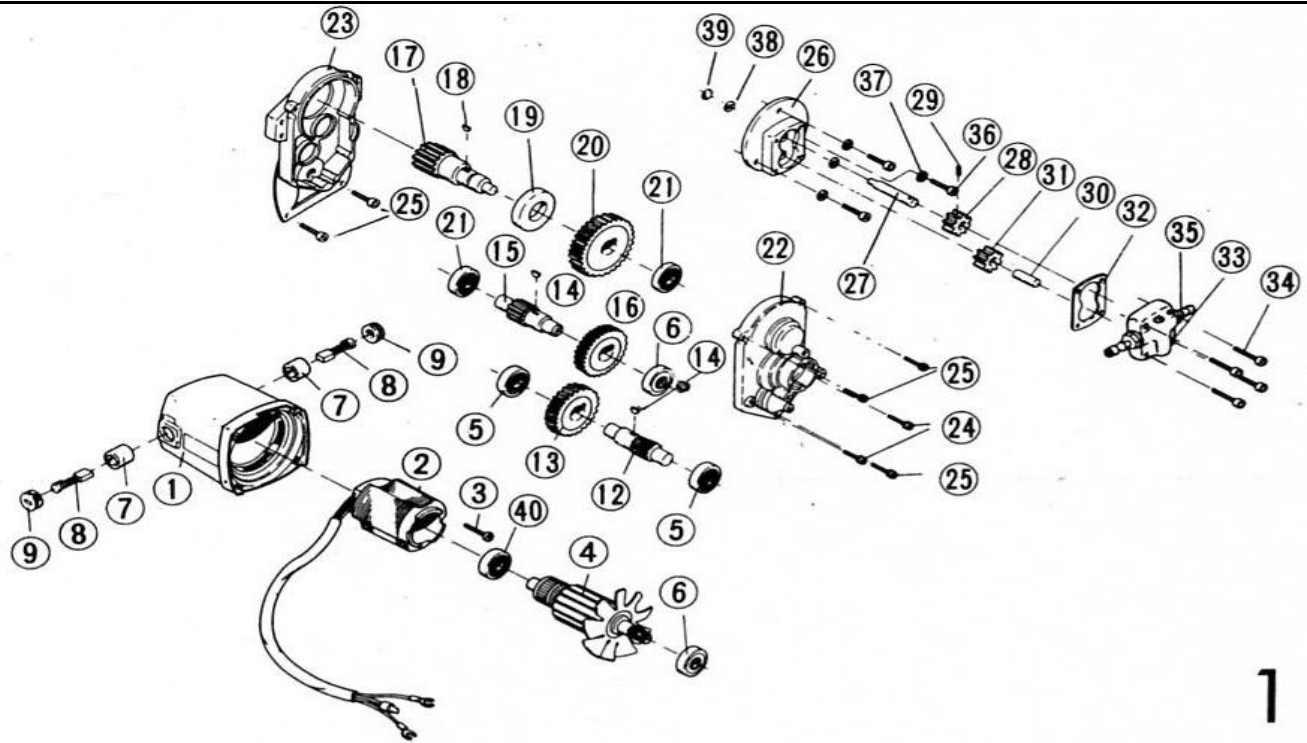
Wheeler-Rex Model 7090 (R50AV) Pipe Threading Machine Parts List



Wheeler Mfg. Div Rex Intl USA Inc.
3744 Jefferson Road
Ashtabula, OH 44004
Tel: 800-321-7950
Fax: 440-992-2925
www.wheelerrex.com
wheeler@wheelerrex.com

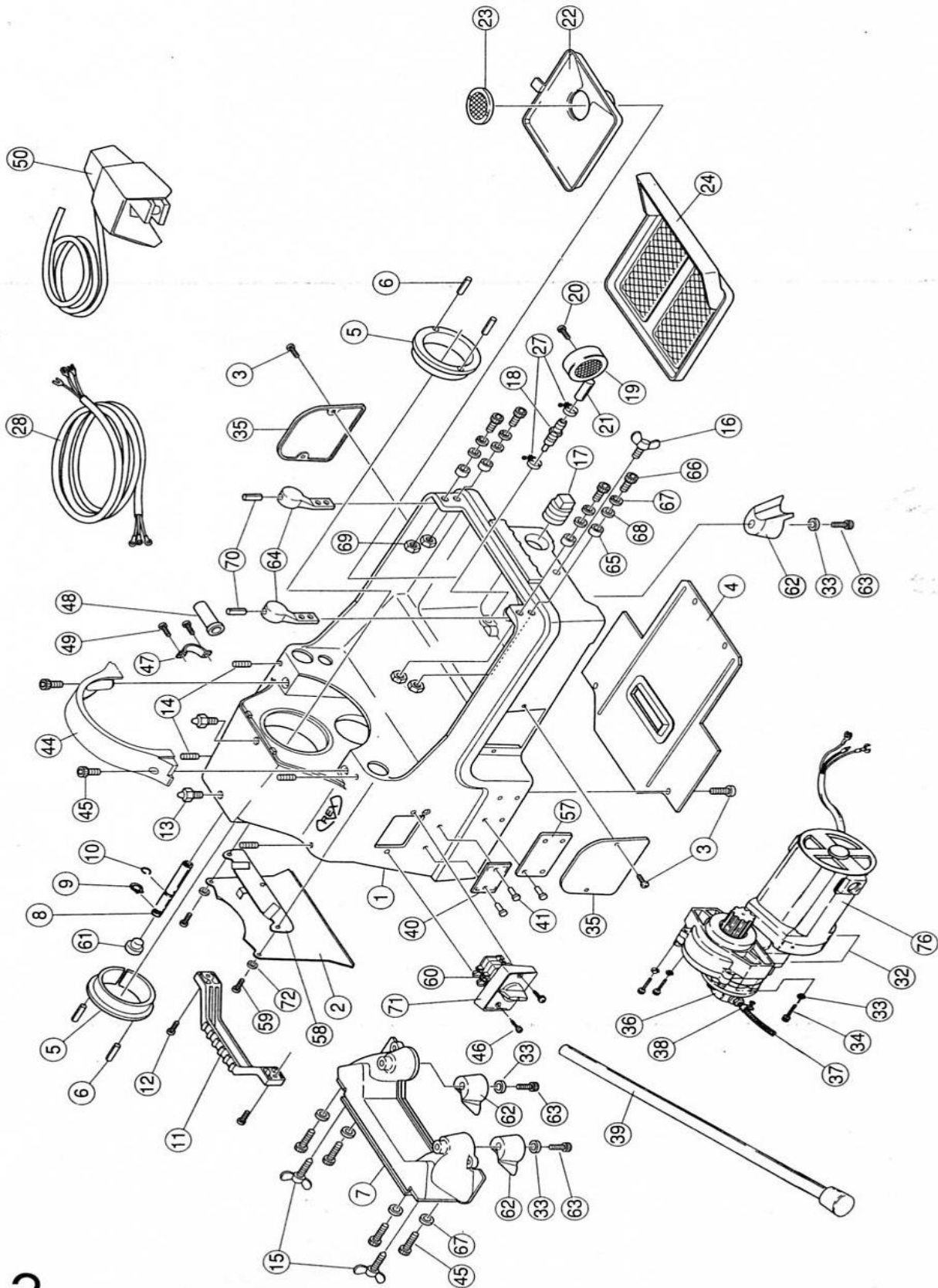
REX Industries Ltd.
www.rexind.co.jp

Model 7090 Motor and Pump



No.	Wheeler P/N	Description	Set	Rex P/N	Comments
1	600695	Housing	1		6090
2	600696	Stator Assembly	1		6090
3	600648	Round Head Machine Screw (M5x60)	2		6090
4	600697	Armature Assembly	1		6090
5	600698	Bearing (6200)	2		6090
6	600115	Bearing (6201ZZ)	2		6090
7	600699	Carbon Brush Holder	2		6090
8	600700	Carbon Brush (auto-stop)	1 set		6090
9	600701	Carbon Brush Cap	2		6090
10					
11					
12	600702	Second Pinion	1		6090
13	600703	First Gear	1		6090
14	600650	Woodruff Key (3x10)	2		6090
15	600704	Third Pinion	1		6090
16	600705	Second Gear	1		6090
17	600706	Spindle	1		6090
18	600651	Woodruff Key (4x16)	1		6090
19	600114	Bearing (6304ZZ)	1		6090
20	600707	Final Gear	1		6090
21	600708	Bearing (6201)	2		6090
22	600709	Gear Cover	1		6090
23	600710	Inner Cover	1		6090
24	600711	Rd Hd Machine Screw w/spring washer (M5x65)	2		6090
25	600649	Rd Hd Machine Screw w/spring washer (M5x25)	5		6090
26	600712	Pump Body	1		6090
27	600713	Shaft	1		6090
28	600714	Pump Gear A	1		6090
29	600652	Roll Pin (2.5x6)	1		6090
30	600715	Pin	1		6090
31	600716	Pump Gear B	1		6090
32	600717	Gasket	1		6090
33	600718	Rear Cover	1		6090
34	600653	Socket Head Cap Screw (M5x22)	4		6090
35	600719	Joint	2		6090
36	600131	Socket Head Cap Screw (M6x16)	3		6090
37	600132	Spring Washer (6mm)	3		6090
38	606462	Oil Seal (AC0158A)	1		6090
39	600465	Retaining Ring (22mm)	1		6090
40	600698	Bearing (6200ZZ)	1		6090
41					

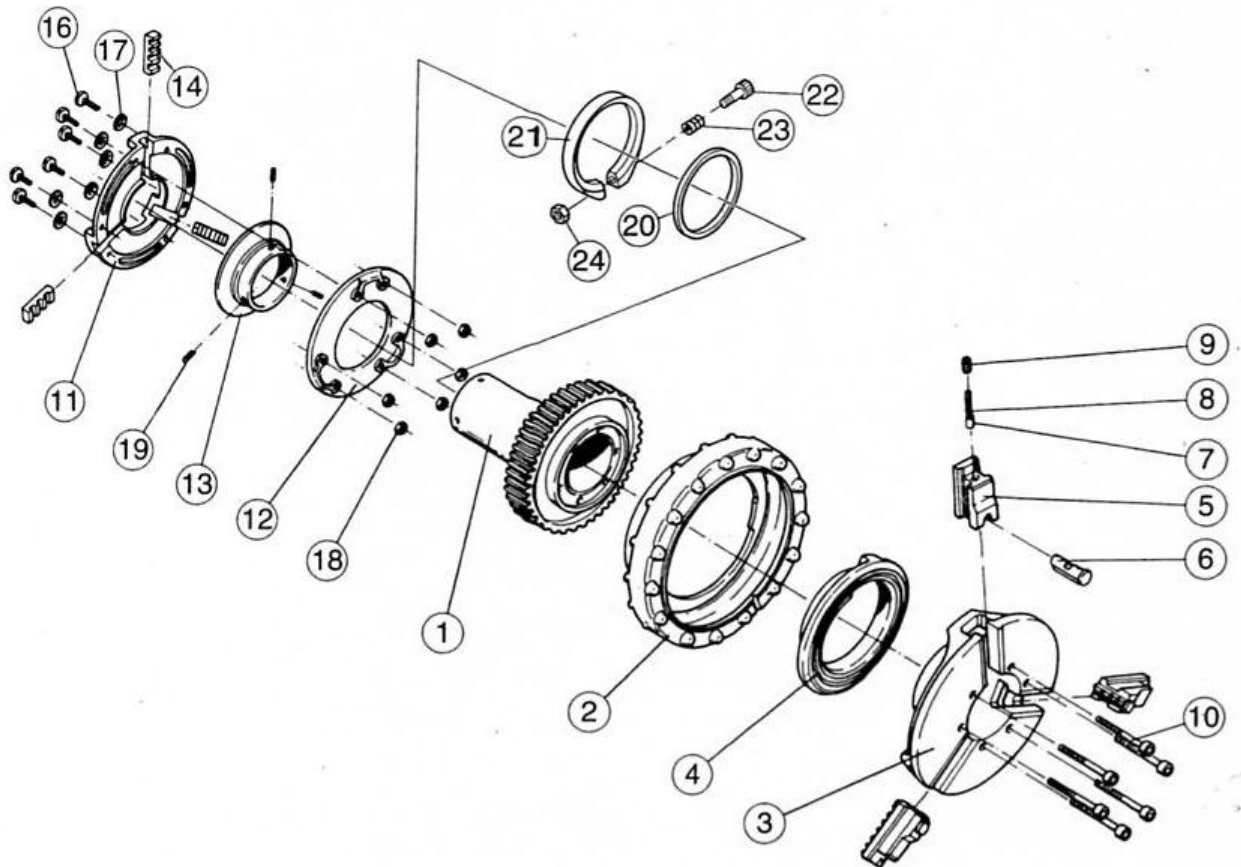
Model 7090 Base



Model 7090 Base Parts List

No.	Wheeler P/N	Description	Set	Rex P/N	Comments
1	606338	Base Casting	1	N600	
2	606339	Rear Cover w/Stop Plate	1	N503	
3	600329	Round Head Machine Screw (M5 x8)	8	W251	6090
4	606440	Bottom Cover	1	N505	
5	606441	Main Shaft Bearing	2	N620	
6	600127	Roll Pin (4x10)	4	WL41	6090
7	606442	Stand Base	1	N524	
8	606443	Oil Tube Cover	1	N609	
9	600654	Snap Ring (16mm)	1	WW16	6090
10	600655	Retaining Ring (16mm)	1	WX16	6090
11	606444	Rear Grip	1	N504	
12	600129	Socket Head Cap Screw (M8x25)	2	W083	6090
13		Grease Nipple	2	J009	
14	600669	Hex Socket Set Screw (M8x12)	4	W78B	6090
15	606445	Wing Screw (M8x50)	2	N630	
16	606446	Wing Screw (M8x30)	1	RJ76	
17	606447	Drain Plug (PT1")	1	WA42	
18	600730	Nipple	1	T056	6090
19	600731	Strainer	1	N048	6090
20	600732	Round Head Tapping Screw (M5x8)	1	WA55	6090
21	600733	Oil Intake Line Suction Tube A	1	N049	6090
22	606448	Tank Upper Cover	1	N514	
23	606449	Oil Filter	1	N515	
24	606450	Scrap Receiver	1	N516	
28	600139	Power Cord	1	1895	6090
32	600803	Motor with Gear Box (series)	1	N130	6090
33	600130	Spring Washer (8mm)	7	WG08	6090
34	600657	Socket Head Cap Screw (M8x45)	4	W08B	6090
35	606451	Side Cover	2	N520	
36	600040	Gear Pump (oil pump)	1	9010	6090
37	600740	Oil Intake Line Suction Tube B	1	N046	6090
38	600213	Pipe Band S (10mm)	3	ZJ50	6090
39	600741	Pipe (leg) Stand with 603520 Leg Cap	3	N121	6090
40	606452	Name Plate	1	N621	
41	600621	Rivet (#4x5)	6	WN34	6090
44	606453	Gear Cover	1	N523	
45	600486	Socket Head Cap Screw (M6x20)	6	W063	
46	600137	Oval Head Machine Screw (M4x16)	4	W4A6	6090
47	606454	Clamp	1	7098	6090
48	606455	Cord Bushing	1	7021	6090
49	600335	Round Head Machine Screw (M4 x10)	2	W242	6090
50	901	Foot Switch	1		6090
57	606456	Warning Plate	1	L099	6090
58	606518	Stop plate	1	N695	
59	606519	Socket Head Cap Screw (M5x12)	2	W053	
60	600959	Cam Switch	1	F065	6090
61	606457	Cap	1	N054	6090
62	606458	Stand Support	3	N525	
63	600237	Socket Head Cap Screw (M8x30)	3	W08F	
64	606463	Base Support	2	N502	
65	606464	Support Collar	4	N057	6090
66	600813	Socket Head Cap Screw (M6x30)	4	W065	6090
67	600132	Spring Washer (6mm)	8	WG06	6090
68	600211	Washer (6mm)	4	WI62	6090
69	600177	Nut (M6)	4	WD06	6090
70	600218	Roll Pin (6x10)	2	WL60	6090
71	600960	Cam Switch Plate	1	F066	
72	600248	Washer (5mm)	2	WL09	

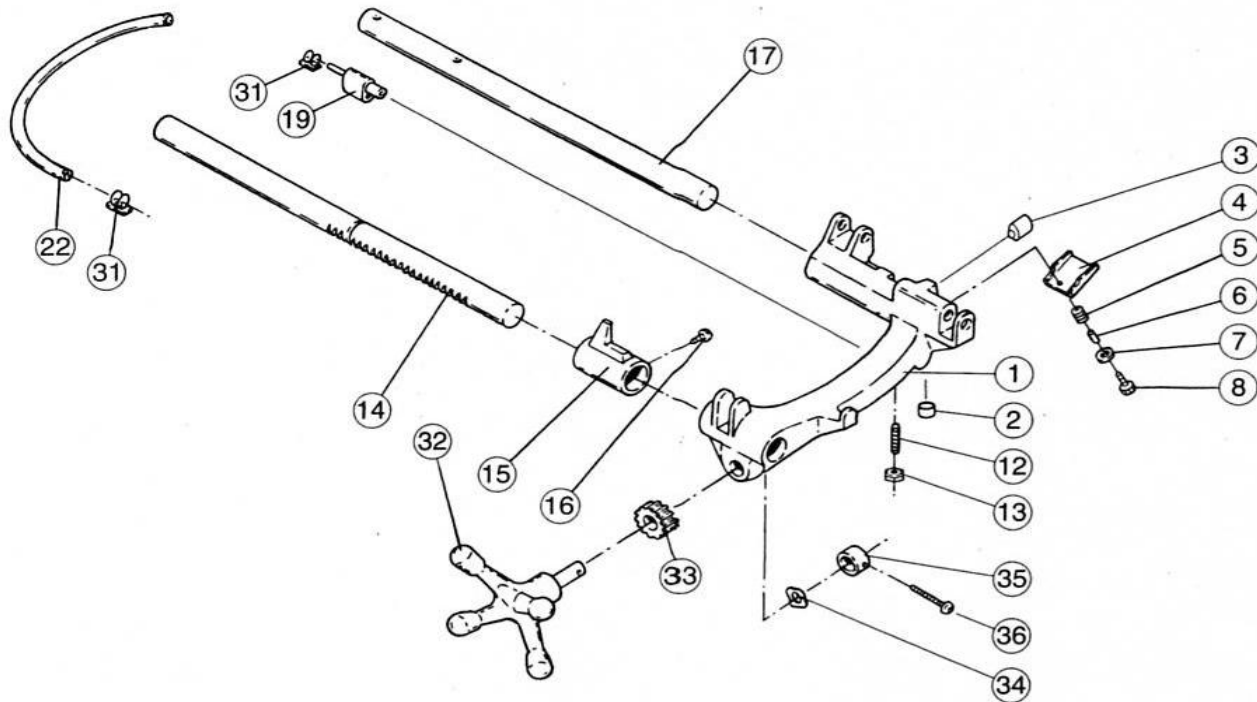
Model 7090 Main Shaft



3

No.	Wheeler P/N	Description	Set	Rex P/N	Comments
1	606471	Main Shaft (w/main shaft gear & roll pins)	1 set	O2NR	
2	606472	Hand Wheel	1	N601	
3	606473	Chuck Body	1		
4	606474	Chuck Scroll	1		
5	606475	Chuck Jaw	3		
6	606476	Chuck Jaw Insert	3	TM51	606515 Front Chuck Assy
7	600750	Spring Retainer	3		6090
8	600751	Spring	3		6090
9	600752	Hex-socket set screw (M7x7)	3		6090
10	600476	Socket Head Cap Screw (M7x54)	6		6090
11	606477	Rear Chuck Receptacle	1		
12	606478	Rear Chuck Cover	1		
13	606479	Rear Scroll	1		
14	606480	Rear Chuck Jaw Set	3	N508	606516 Rear Chuck Assy
15					
16	600330	Round rear machine screw (M5x20)	6		
17	600124	Spring Washer (5mm)	4		
18	600209	Nut (M5)	6		
19	600662	Roll Pin (6x16)	3	WL62	
20	606482	Thrust Ring	1	N551	
21	606483	Adjust Ring	1	N550	
22	606465	Socket Head Cap Screw (M6x55)	1	W069	
23	606484	Spring	1	F030	
24	606485	U Nut	1	WE16	

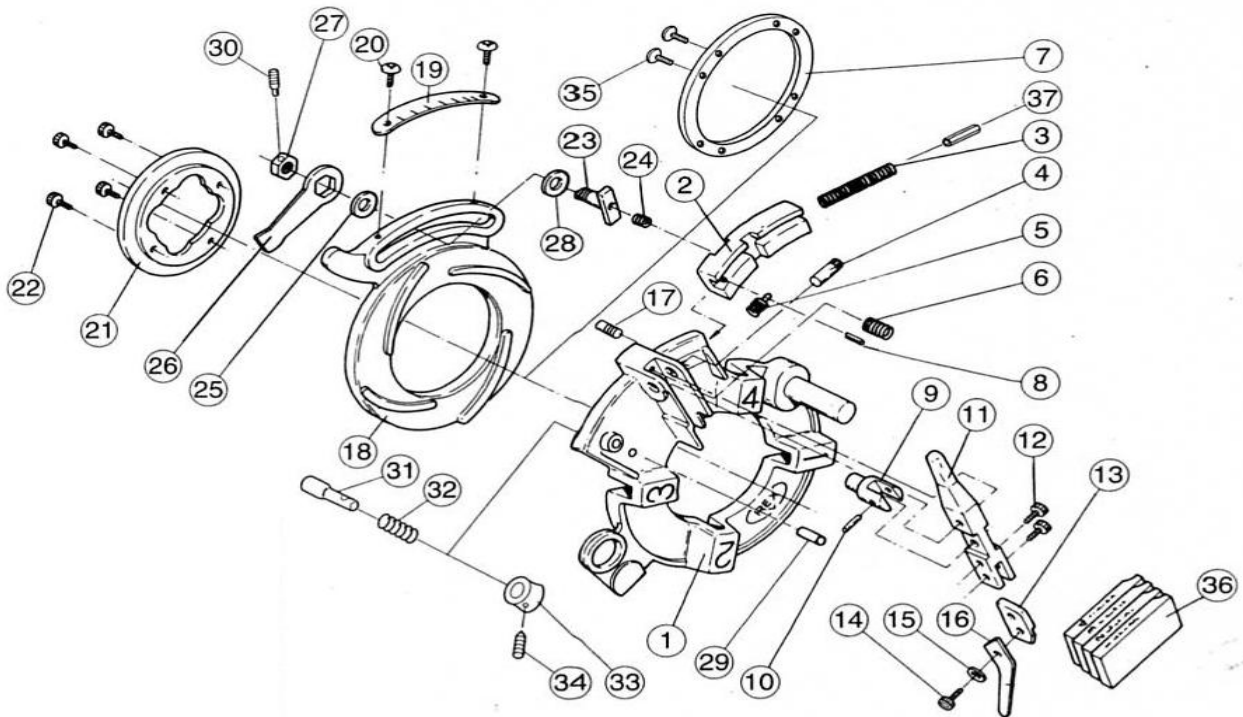
Model 7090 Carriage



4

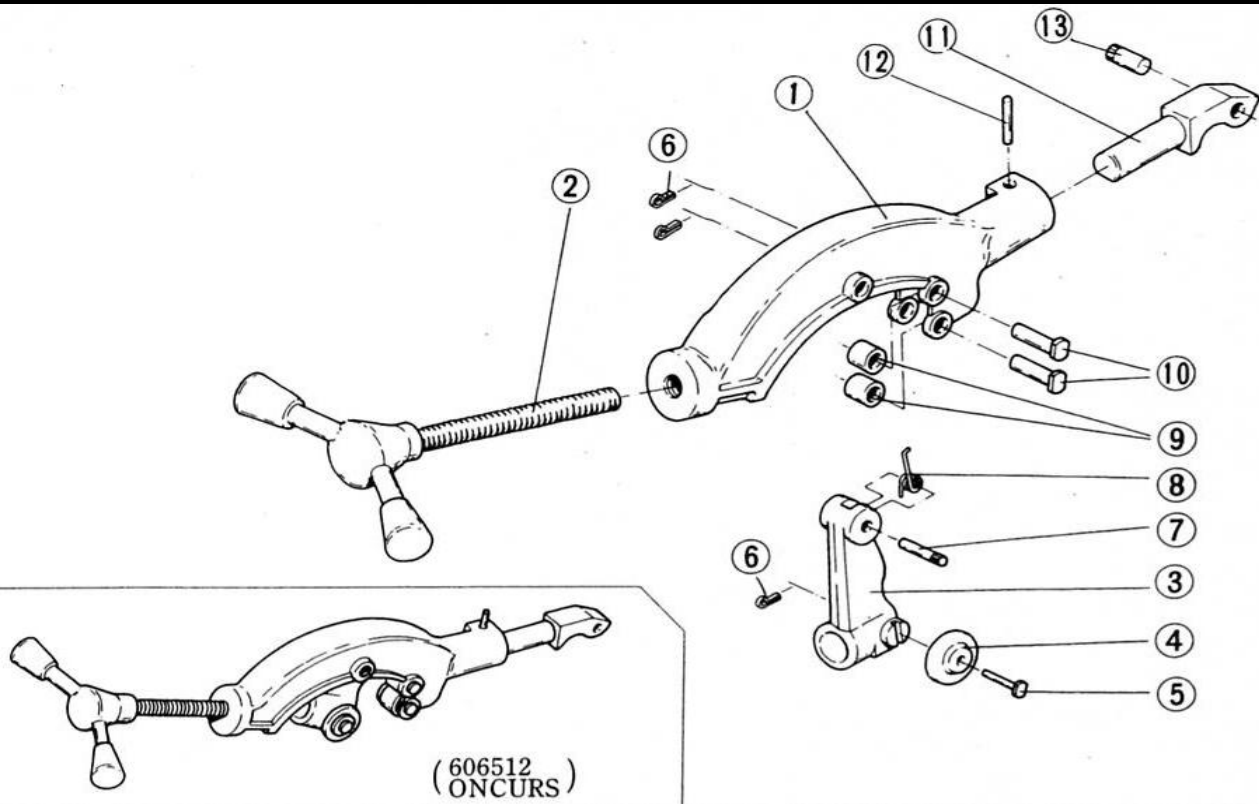
No.	Wheeler P/N	Description	Set	Rex P/N	Comments
1	606486	Carriage	1	N604	
2	606487	Plug Pin	1	N051	6090
3	606488	Ball Plunger	1	G861	6090
4	600762	Oil Drip Cover	1	N032	6090
5	600763	Spring	1	N370	6090
6	600764	Collar	1	9056	6090
7	600211	Washer	1	WI82	6090
8	600486	Socket Head Cap Screw (M6x20)	1	W063	6090
9					
10					
11					
12	600659	Hex Socket Set Screw (M6x15)	1	W665	6090
13	600811	Jam Nut (M6)	1	WD06	6090
14	600855	Carriage Support Bar A	1	N011	6090
15	606489	Security Collar	1	N081	
16	600329	Round Head Machine Screw (M5x8)	1	W251	6090
17	600856	Carriage Support Bar B	1	N012	6090
18					
19	606490	Oil Tube Connector	1	N631	
20					
21					
22	600772	Oil Feed Line Tube	1	N047	6090
23					
24					
25					
26					
27					
28					
29					
30					
31	600213	Pipe Band S (10mm)	2	ZJ50	6090
32	600859	Carriage handle (w/feed gear shaft)	1	N014	6090
33	607515	Carriage Feed Gear	1	A515	6090
34	600810	Wave Washer (20mm)	1	WH20	6090
35	609018	Feed Gear Stop Ring	1	9018	6090
36	600341	Round Head Machine Screw (M5x30)	1	W256	6090

Model 7090 Die Head 1/2" - 2"



No.	Wheeler P/N	Description	Set	Rex P/N	Comments
1	606491	Die Head Body (w/dh post & auto open pin collar)	1	N674	
2	606492	Opening Block	1	N681	
3	606493	Spring	1	N694	6090
4	600781	Lever Pin	1	N714	6090
5	600782	Spring	1	N720	6090
6	600783	Spring	1	N723	
7	606494	Die Head Ring	1	N682	
8	606495	Pin (6x12)	1	WM62	
9	600785	Auto-Open Pin	1	N709	6090
10	600786	Straight Pin	1	N716	6090
11	606496	Open Lever	1	N683	
12	600479	Socket Head Cap Screw (M6x10)	2	W068	
13	606497	Auto-Open Link	1	N684	
14	600663	Socket Head Cap Screw (M8x15)	1	W080	6090
15	600245	Spring Washer (8mm)	1	WG08	
16	606498	Auto-Open Lever NPT	1	N692	
17	600790	Stop Screw	1	N717	
18	606499	Cam Plate	1	N678	
19	606500	Size Plate (R-NPT)	1	N677	
20	606466	Truss Screw (M4x8)	2		
21	606501	Retaining Ring	1	N679	6090
22	600131	Socket Head Cap Screw (M6x16)	4	W062	
23	606502	Cam Plate Fixed Pin	1	N685	6090
24	600795	Spring	1	N722	
25	606467	Washer (12mm)	1	N693	
26	606503	Lever Nut	1	N691	
27	606504	Nut	1	N686	
28	606505	Fixed Pin Washer	1	N693	6090
29	600665	Roll Pin (5x14)	1	WL52	
30	606468	Hex Socket Set Screw (M5x6)	1		
31	606506	Open Pin	1	N688	
32	606507	Spring	1	N690	
33	606508	Knob	1	N689	
34	606469	Hex Socket Set Screw (M5x5)	1	W650	
35	606470	Socket Head Button Screw (M4x10)	8	161351	
36	70201	1/2"-3/4" NPT Dies	1 set	161352	
	70209	1"-2" NPT Dies	1 set		
37	606517	Spring Guide Pin		7735C	

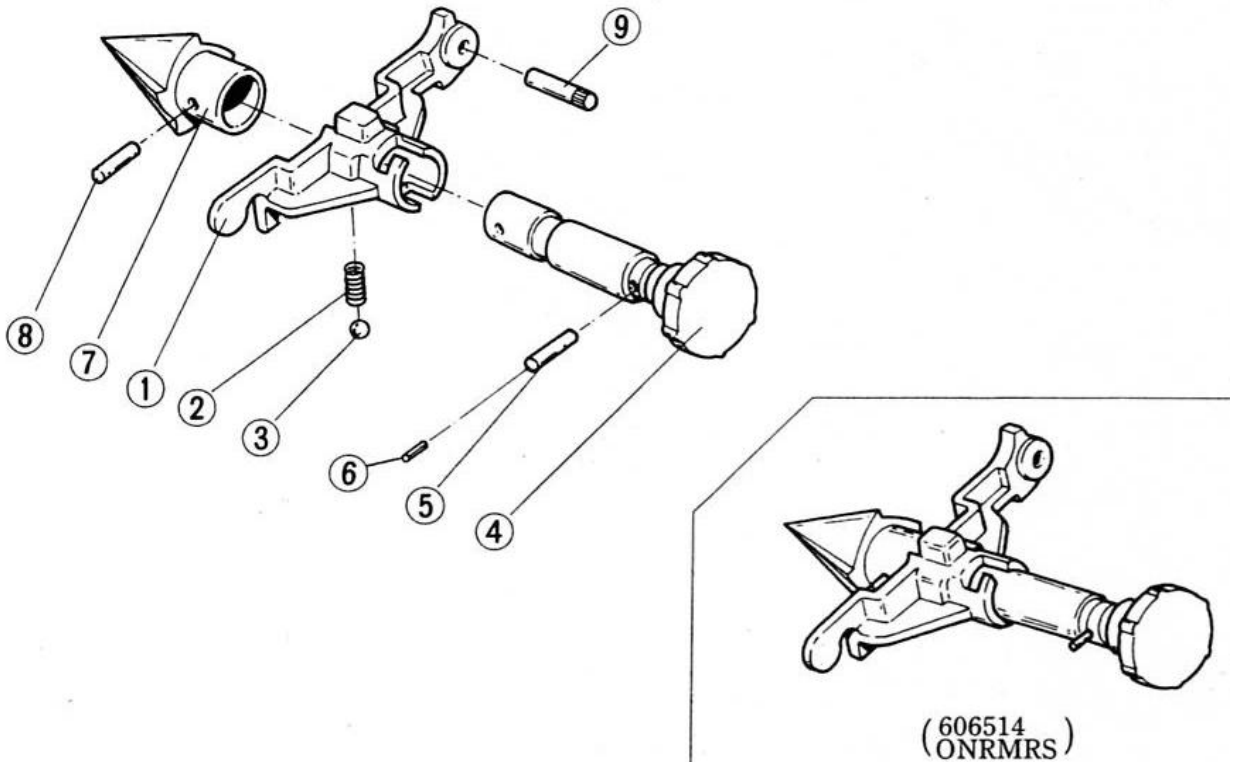
Model 7090 Cutter



6

No.	Wheeler P/N	Description	Set	Rex P/N	Comments
1	606509	Cutter Frame	1	N602	
2	600800	Cutter Handle (w/feed screw)	1	N021	6090
3	606510	Cutter guide with pin	1	N603	
4	60324	Cutter Wheel	1		6090
5	602471	Cutter Pin S	1	2471	6090
6	600171	Spring Cotter	3	WN12	6090
7	609027	Cutter Guide Pin	1	9027	6090
8	609025	Spring Cotter (2.3X15)	1	4070	6090
9	605074	Cutter Roller	2	5074	6090
10	605079	Cutter Pin L	2	5079	6090
11	606511	Cutter Arm	1	N608	
12	604072	Cutter Frame Stop Pin	1	4072	6090
13	601076	Cutter Arm Stop Pin	1	1076	6090
14					
15	606512	Complete Cutter		ONCURS	

Model 7090 Reamer



No.	Wheeler P/N	Description	Set	Rex P/N	Comments
1	606513	Reamer Arm	1	N605	
2	600807	Spring	1	5096	6090
3	600168	Steel Ball (8mm)	1	WQ08	6090
4	600808	Reamer Shaft with Knob	1	N026	6090
5	600666	Roll pin (8x35)	1	WL86	6090
6	600658	Roll Pin (4.75x35)	1	WLA1	6090
7	601093	Reamer Cone	1	1093	6090
8	600482	Roll Pin (8x45)	1	WL87	6090
9	609045	Reamer Pin	1	1096	6090
10					
11	606514	Complete Reamer		ONRMRS	