

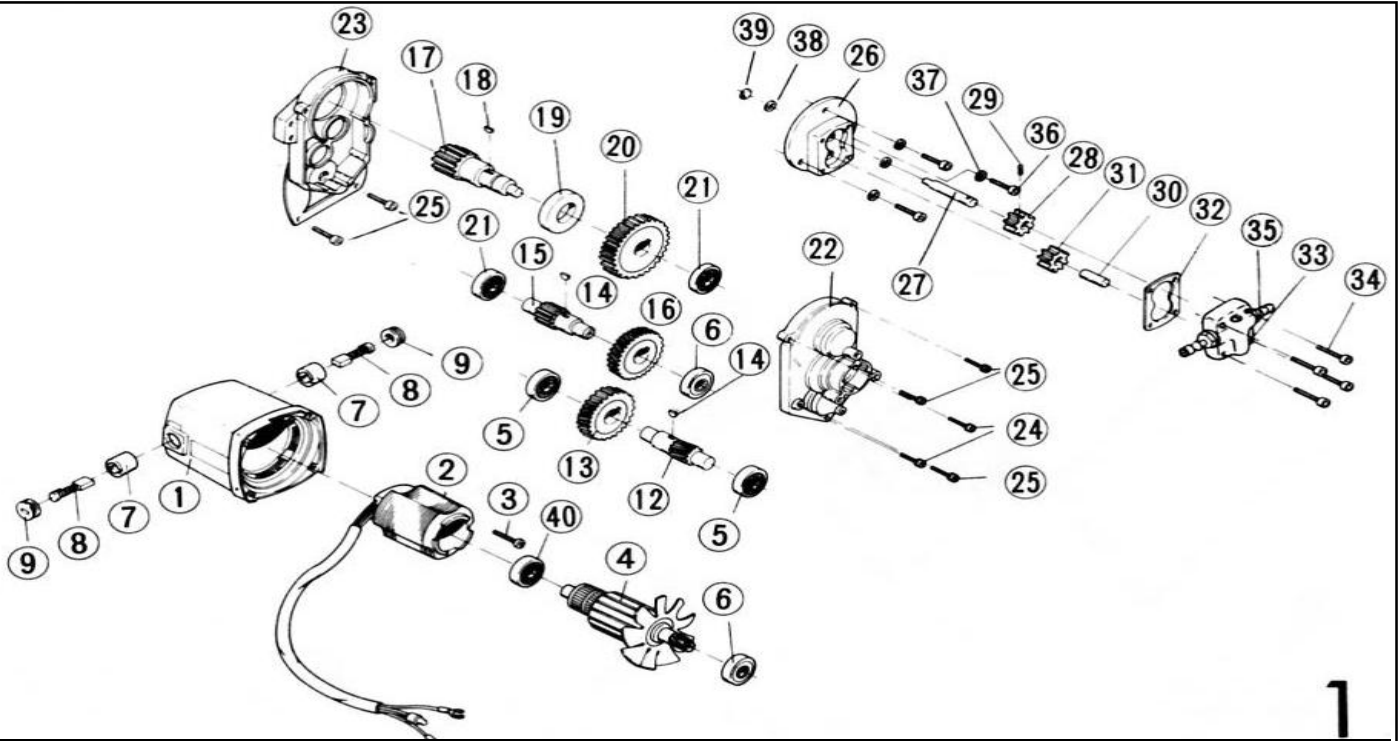
Wheeler-Rex Model 6090 (N50A) Pipe Threading Machine Parts List



Wheeler Mfg. Div Rex Intl USA Inc.
3744 Jefferson Road
Ashtabula, OH 44004
Tel: 800-321-7950
Fax: 440-992-2925
www.wheelerrex.com
wheeler@wheelerrex.com

REX Industries Ltd.
www.rexind.co.jp

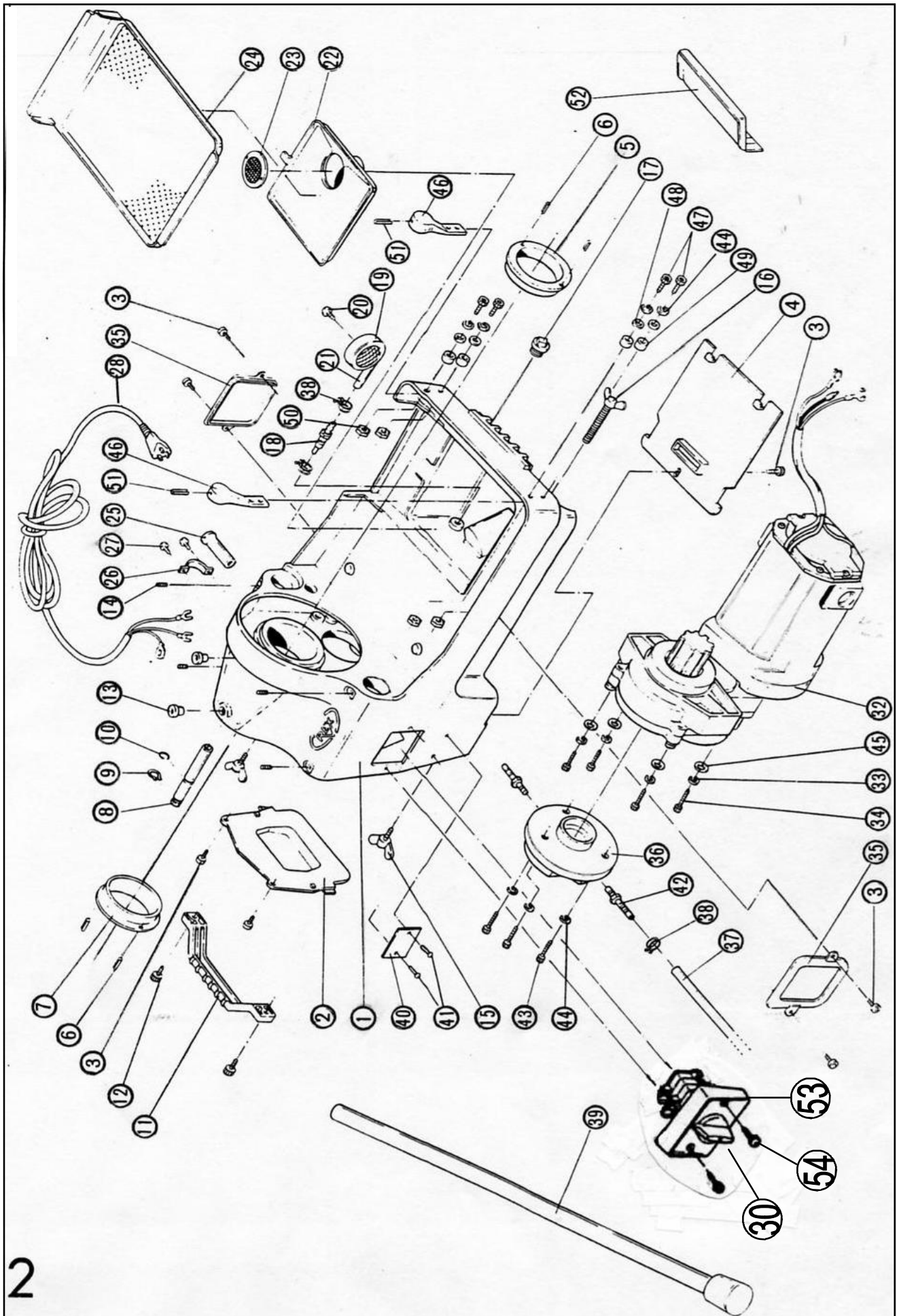
6090 1. Motor and Pump



1

Number	Wheeler P/N	Description	Set	Rex P/N	Notes
1	600695	Housing	1		
2	600696	Stator Assembly	1		
3	600648	Round Head Machine Screw (M5x60)	2		
4	600697	Armature assembly	1		
5	600698	Bearing (6200)	2		
6	600115	Bearing (6201ZZ)	2		
7	600699	Carbon Brush Holder	2		
8	600700	Carbon Brush (auto-stop)	1 set		
9	600701	Carbon Brush Cap	2		
10					
11					
12	600702	Second Pinion	1		
13	600703	First Gear	1		
14	600650	Woodruff Key (3x10)	2		
15	600704	Third Pinion	1		
16	600705	Second Gear	1		
17	600706	Spindle	1		
18	600651	Woodruff Key (4x16)	1		
19	600114	Bearing (6304ZZ)	1		
20	600707	Final Gear	1		
21	600708	Bearing (6201)	2		
22	600709	Gear Cover	1		
23	600710	Inner Cover	1		
24	600711	Rd Hd Machine screw w/spring washer (M5x65)	2		
25	600649	Rd Hd Machine screw w/spring washer (M5x25)	5		
26	600712	Pump Body	1		
27	600713	Shaft	1		
28	600714	Pump Gear A	1		
29	600652	Roll Pin (2.5x6)	1		
30	600715	Pin	1		
31	600716	Pump Gear B	1		
32	600717	Gasket	1		
33	600718	Rear Cover	1		
34	600653	Socket Hd Cap Screw (M5x22)	4		
35	600719	Joint	2		
36	600131	Socket Hd Cap Screw (M6x16)	3		6390 / 6490
37	600132	Spring Washer (6mm)	3		
38		Oil Seal (AC0158A)	1		
39		Retaining Ring (22mm)	1		
40	600698	Bearing (6200ZZ)	1		
41	600803	Motor & Gearbox Complete	1		

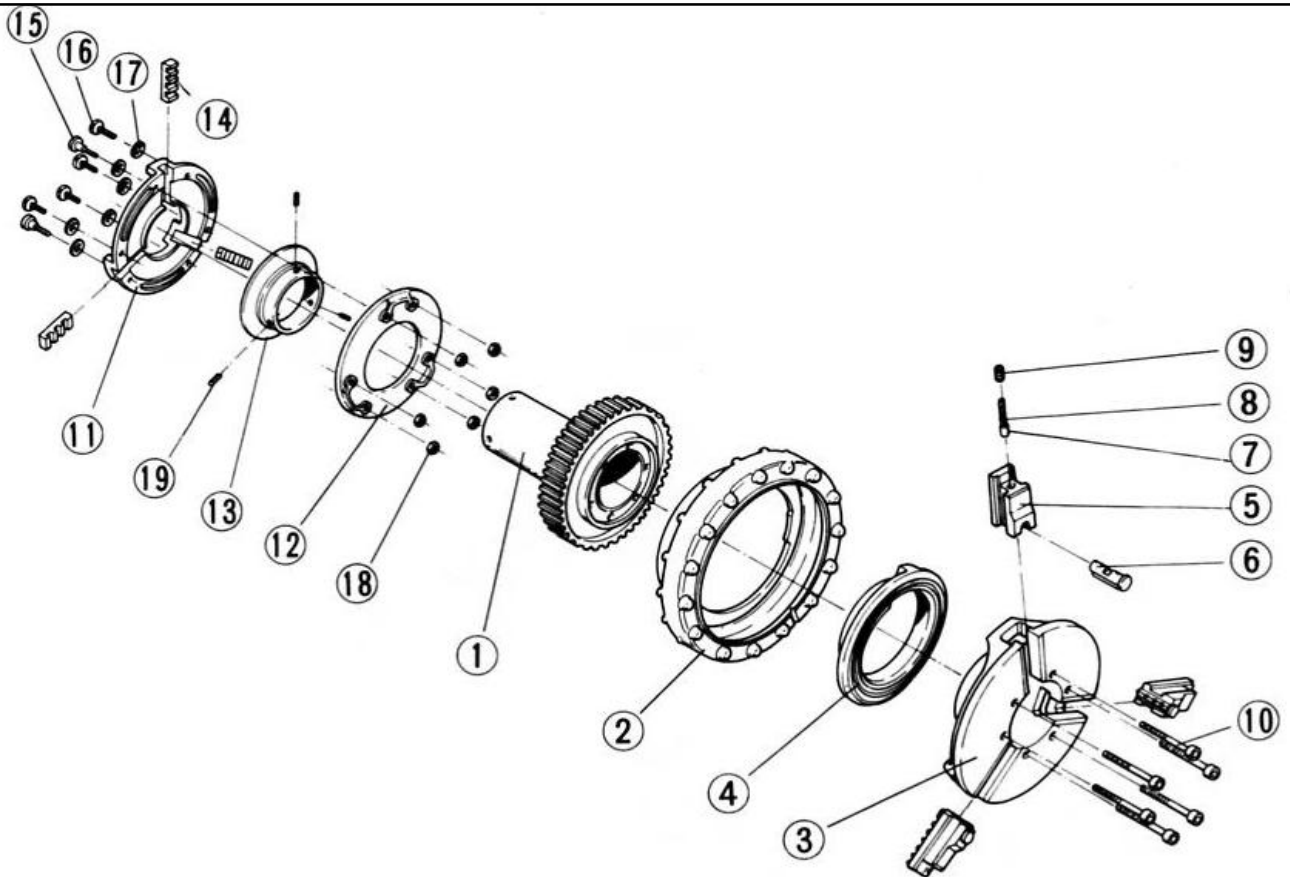
6090 2. Base



6090 2. Base

Number	Wheeler P/N	Description	Set	Rex P/N	Notes
1	600723	Base Casting Assembly	1	N101	
2	600724	Rear Cover	1	N035	
3	600179	Rd Hd Machine Screw (M5x10)	7		
4	600725	Bottom Cover	1	N726	
5	600726	Front Main Shaft Bearing	1	1010	
6	600127	Roll Pin (4x10)	4		
7	600726	Rear Main Shaft Bearing	1	N105	
8	600727	Oil Tube Cover	1	N045	
9	600654	Snap Ring (16mm)	1		
10	600655	Retaining Ring (16mm)	1		
11	600728	Rear Grip	1	N038	
12	600129	Socket Hd Cap Screw (M8x25)	2		
13	600729	Oil Cap	2	N039	
14	600197	Hex Socket Set Screw (M8x10)	4		
15	600692	Wing Screw (M8x25)	2	N128	
16	600693	Wing Screw (M8x45)	1	N127	
17	600145	Drain Plug (PT1/2)	1		
18	600730	Nipple	1	T056	
19	600731	Strainer	1	N048	
20	600732	Rd Hd Tapping Screw (M6x8)	1		
21	600733	Oil Intake Line Suction Tube A	1	N049	
22	600734	Tank Upper Cover	1	N030	
23	600735	Oil Filter	1	N029	
24	600736	Scrap Receiver	1	N031	
25	606455	Cord Bush	1	7021	
26	606454	Binder C-15	1	7098	
27	600656	Rd Hd Machine Screw (M4x20)	2		
28	221389	Cabtyre Cord	1		
29			2		
30	600959	Switch	1		
31	600151	Oval Hd Machine Screw (M4x16)	2		
32	600803	Motor - Series	1	N109	
33	600130	Spring Washer (8mm)	4		
34	600657	Socket Hd Cap Screw (M8x45)	4		
35	600739	Side Cover	2	N036	
36	600040	Gear Pump (Oil Pump)	1	9010	
37	600740	Oil Intake Suction Tube B	1	N046	
38	600213	Pipe Band S (10mm)	3		
39	600741	Pipe Stand	3	N121	
40	600742	Name Plate	1	N124	
41	600621	Rivet (4x5)	2		
42	601035	Joint	2	1035	
43	600137	Socket Hd Cap Screw (M6x16)	3		
44	600132	Spring Washer (6mm)	7		
45	600245	Washer (8mm)	4		
46	600950	Carriage Support	2	N013	
47	600813	Socket Hd Cap Screw (M6x30)	4		
48	600245	Washer (6mm)	4		} Used w/600950
49	606305	Support Collar	4	N057	
50	600177	Nut (M6)	4		
51	600163	Roll Pin (M6x12)	2		
52	600951	Drip Tray	1	N033	
53	600960	Cam Switch Plate	1		
54	600137	Rd Hd Screw 4x6	2		
	901	Footswitch	1		

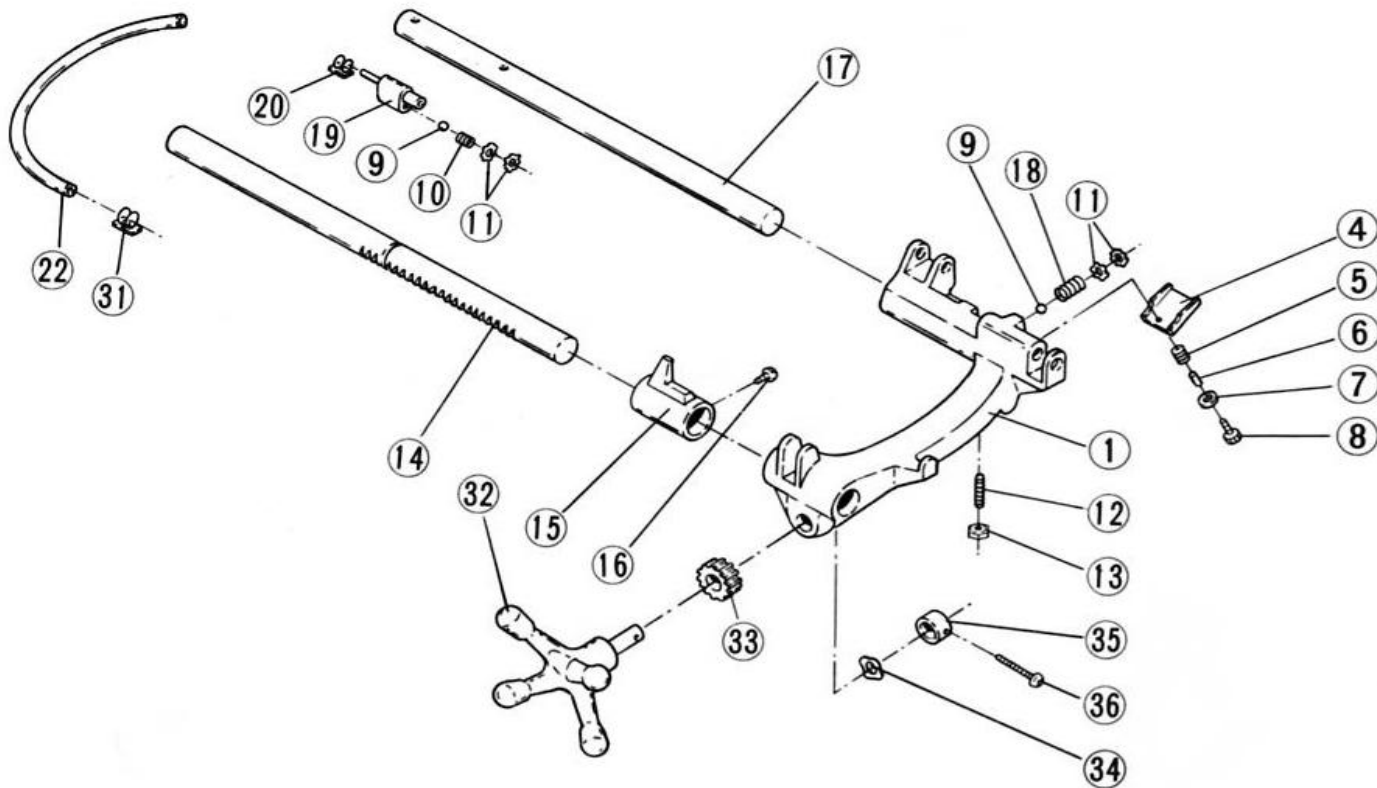
6090 3. Main Shaft



3

Number	Wheeler P/N	Description	Set	Rex P/N	Notes
1	600744	Main Shaft (w/main shaft gear & roll pins)	1 set	02N5	
2	600745	Hand Wheel	1	N162	
3	600746	Chuck Body	1		
4	600747	Chuck Scroll	1		
5	600748	Chuck Jaw	3		
6		Chuck Jaw Insert	3		600759
7	600750	Spring Retainer	3	N106	60318
8	600751	Spring	3		
9	600752	Hex Socket Set Screw (M7x7)	3		
10	600476	Socket Hd Cap Screw (M7x54)	6		
11	600753	Rear Chuck Receptacle	1		
12	600754	Rear Chuck Cover	1		
13	600755	Rear Scroll	1		
14	600756	Rear Chuck Jaw Set	3		600758
15	600757	Reamer Screw (M5x15)	2	N108	
16	600474	Rd Hd Machine Screw (M5x15)	4		
17	600124	Spring Washer (5mm)	4		
18	600209	Nut (M5)	6		
19	600149	Roll Pin (6x14)	3		
20					

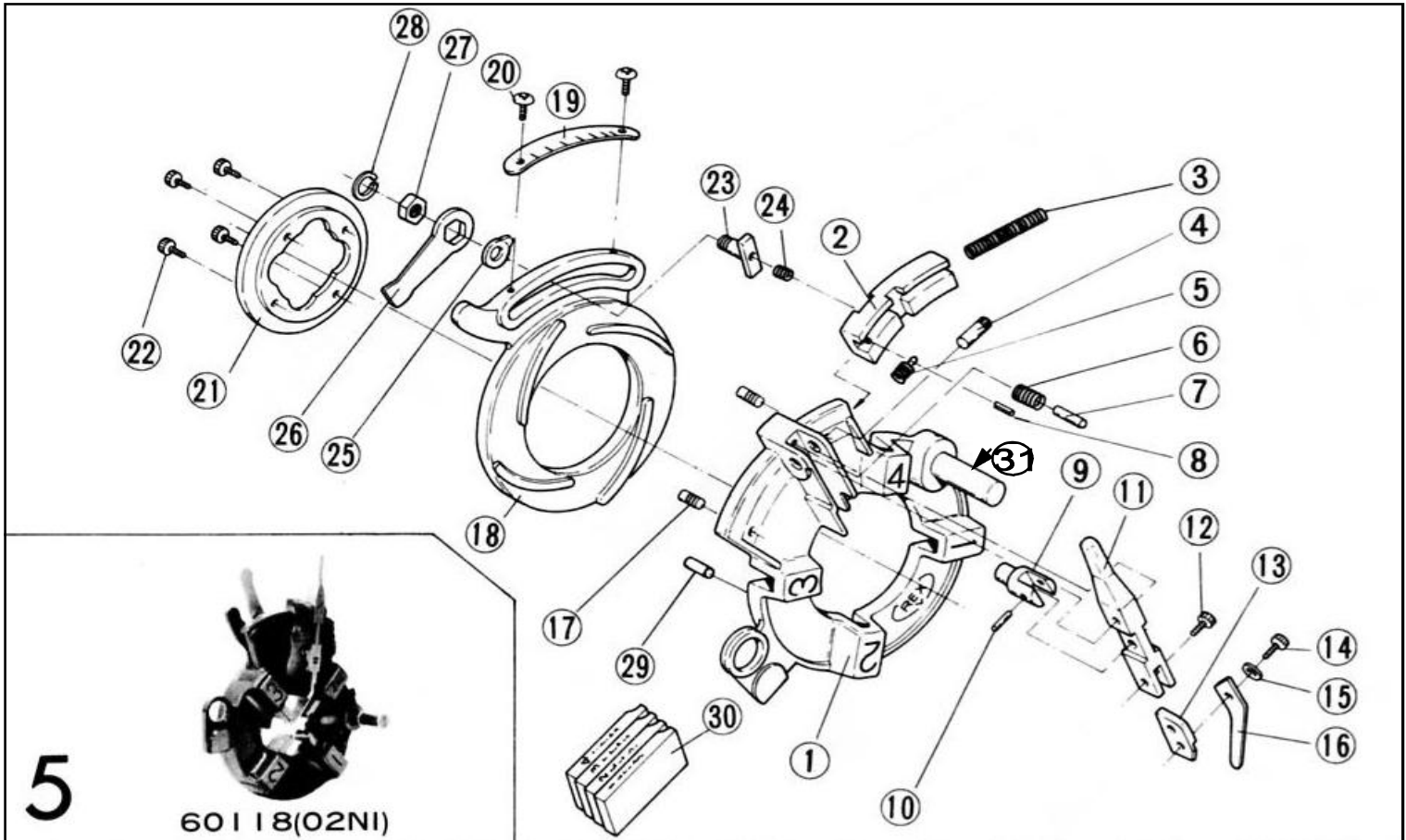
6090 4. Carriage



4

Number	Wheeler P/N	Description	Set	Rex P/N	Notes
1	600854	Carriage	1	N010	
2					
3					
4	600762	Oil Drip Cover	1	N032	
5	600763	Spring	1	N370	
6	600764	Collar	1	9056	
7	600211	Washer	1		
8	600486	Socket Hd Cap Screw (M6x20)	1		
9	600168	Steel Ball (8mm)	2		
10	600402	Spring	1	T050	
11	600170	Push Nut	4		
12	600659	Hex Socket Set Screw (M6x15)	1		
13	600811	Jam Nut (M6)	1		
14	600855	Carriage Support Bar A	1	N011	
15	600858	Security Collar	1	N200	
16	600329	Rd Hd Machine Screw (M5x8)	1		
17	600856	Carriage Support Bar B	1	N012	
18	600402	Spring	1		
19	600769	Oil Tube Connector	1	N044	
20	600213	Pipe Band L	1		
21					
22	600772	Oil Feed Line Tube	1	N047	
23					
24					
25					
26					
27					
28					
29					
30					
31	600213	Pipe Band S	1		
32	600859	Carriage Handle (w/Feed Gear Shaft)	1	N014	
33	607515	Carriage Feed Gear	1	A515	
34	600810	Wave Washer (20mm)	1		
35	609018	Feed Gear Stop Ring	1	9018	
36	600341	Rd Hd Machine Screw (M5x30)	1		
37					

6090 5. Die Head

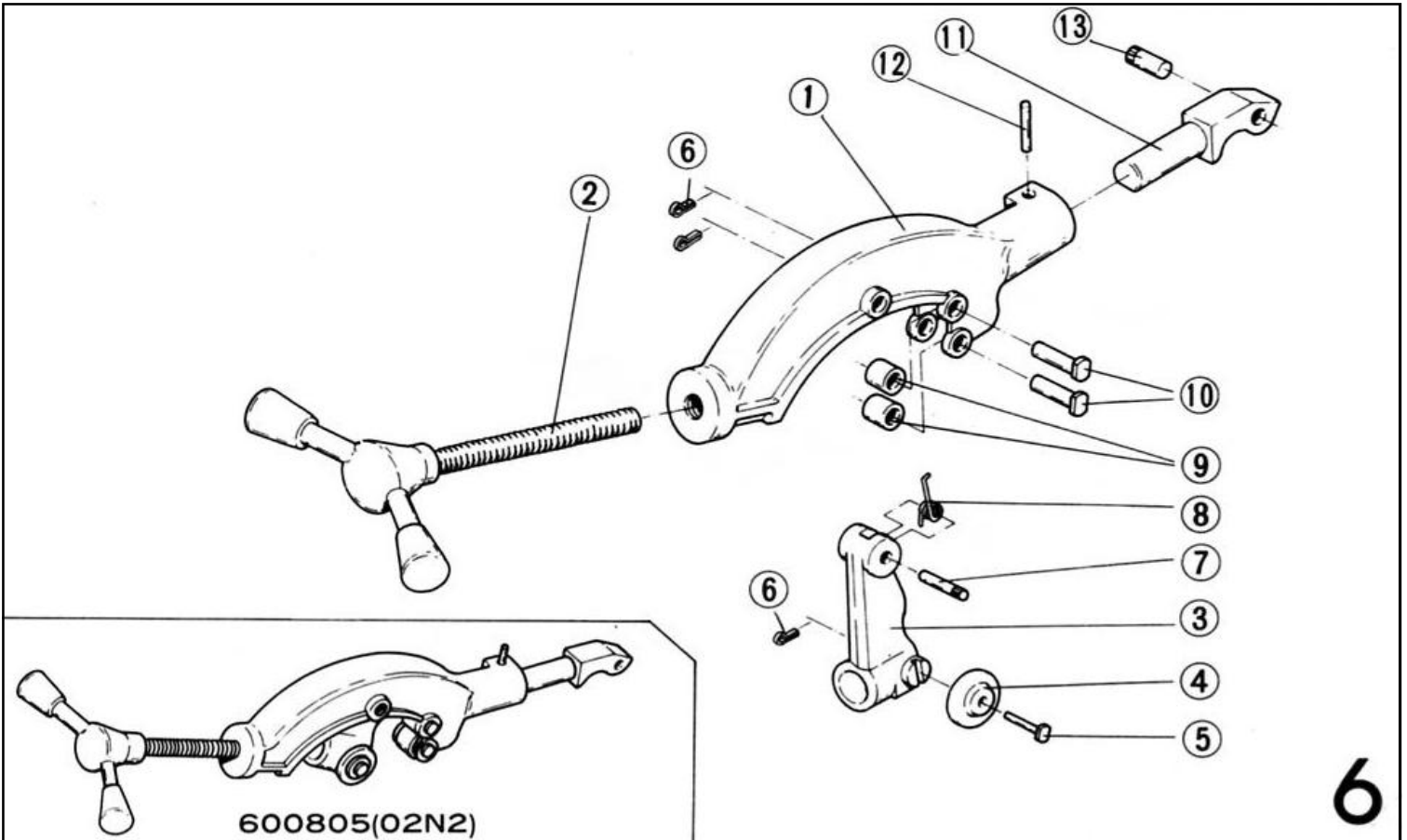


5

60118(02NI)

Number	Wheeler P/N	Description	Set	Rex P/N	Notes
1	600779	Die Head Post (w/DH post & auto-open pin collar)	1	N701	
2	600780	Opening Block	1	N704	
3	600688	Spring	1	7697	
4	600781	Lever Pin	1	N714	
5	600782	Spring	1	N720	
6	600783	Spring	1	N723	
7	600784	Spring Guide	1		
8	600662	Roll Pin (6x16)	1		
9	600785	Auto-open Pin	1	N709	
10	600786	Straight Pin	1	N716	
11	600787	Open Lever	1	N711	
12	600663	Socket Hd Cap Screw (M8x16)	1		
13	600788	Auto-Open Link	1	N712	
14	600472	Socket Hd Cap Screw (M8x10)	1		
15	600245	Washer (8mm)	1		
16	600789	Auto-Open Lever C	1	N727	
17	600790	Stop Screw	2	N717	
18	600791	Cam Plate	1	N702	
19	600792	Size Plate	1	N730	
20	600668	Truss Screw (M4x5)	2		
21	600793	Retaining Ring	1	N703	
22	600131	Socket Hd Cap Screw (M6x16)	4		
23	600794	Cam Plate Fixed Pin	1	N706	
24	600795	Spring	1	N722	
25	600796	Eccentric Washer	1	N708	
26	600797	Lever Nut	1	N705	
27	600798	Nut	1	N707	
28	600664	SnapRing (20mm)	1		
29	600665	Roll Pin (5x14)	1		
30	60201	1/2" - 3/4" NPT Dies	1 set	X041	
	60209	1" - 2" NPT Dies	1 set	X081	
31	600910	Die Head Post	1		
32	60118	Complete Die Head		02N1	
33					

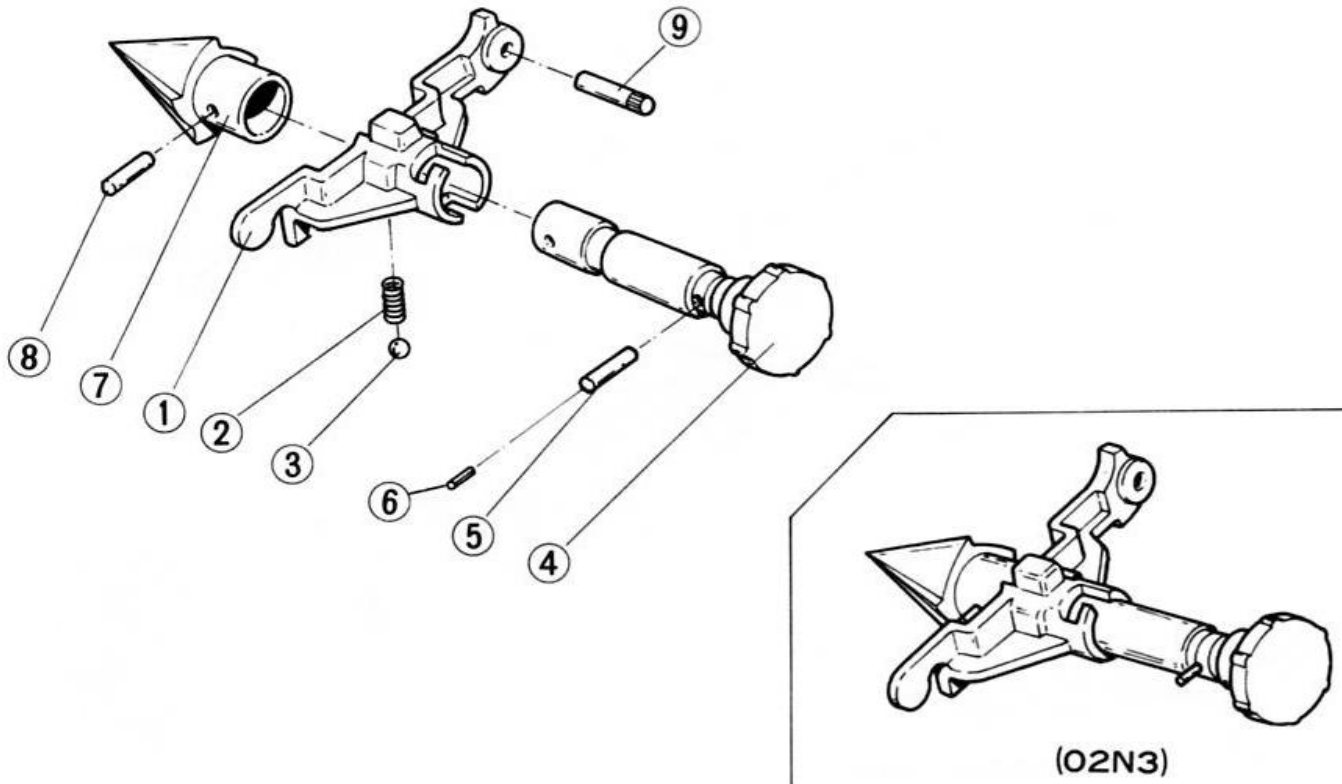
6090 6. Cutter



6

Number	Wheeler P/N	Description	Set	Rex P/N	Notes
1	600799	Cutter Frame	1	N020	
2	600800	Cutter Handle (w/Feed Screw)	1	N021	
3	600801	Cutter Guide	1	4067	
4	60324	Cutter Wheel	1		
5	602471	Cutter Pin S	1	2471	
6	600171	Spring Cotter (2.3x15)	3		
7	609027	Cutter Guide Pin	1	9027	
8	604070	Spring	1	4070	
9	605074	Cutter Roller	2	5074	
10	605079	Cutter Pin L	2	5079	
11	600802	Cutter Arm	1	N023	
12	604072	Cutter Frame Stop Pin	1	4072	
13	601076	Cutter Arm Stop Pin	1	1076	
14					
15	600805	Complete Cutter		02N2	
16					
17					

6090 7. Reamer



7

Number	Wheeler P/N	Description	Set	Rex P/N	Notes
1	600806	Reamer Arm	1	N025	
2	600807	Spring	1		
3	600168	Steel Ball (8mm)	1		
4	600808	Reamer Shaft with Knob	1	N026	
5	600666	Roll Pin (8x35)	1		
6	600658	Roll Pin (4.75x35)	1		
7	601093	Reamer Cone	1	1093	
8	600482	Roll Pin (8x45)	1		
9	609045	Reamer Pin		1096	
10					
11	600848	Complete Reamer		O2N3	
12					