

Pipe Tools

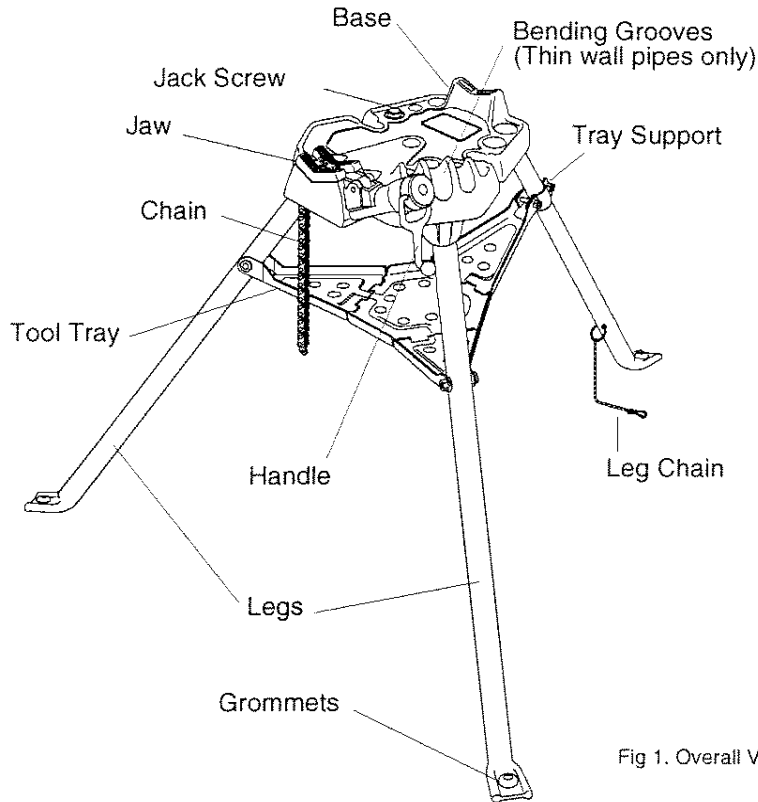
Tristand Chain Vise

OPERATION MANUAL



Before using the Tristand make sure you familiarize yourself with the sections entitled, Names of parts, Standard Specifications, Standard Accessories, and For Safe Operation, etc. as shown below. Take care of these instructions and keep them close at hand so that you can refer to them at any time.

Names of parts, Standard Specifications, Standard Accessories



Model	
Name	Tristand
Applicable Pipe Diam.	1/8 - 6"
Applicable Pipes	Steel pipe
Size (mm)	1198 x 1134 x 960
Weight (kg)	19.6
Additional features	Bending Grooves (Thin wall pipes only) Pipe Support Tool tray

Table 1. Standard specifications and attachments.

Fig 1. Overall View

Setting up

When you set up the Tristand, open the legs and push the tool tray down until it locks into position.

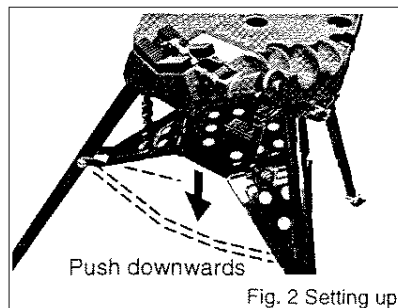


Fig. 2 Setting up

Carrying the stand

Whenever you carry the Tristand, fix the legs in position with the leg chain so that the legs don't suddenly open up.

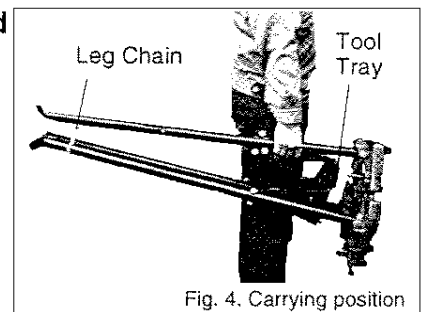


Fig. 4. Carrying position

Storage

When you have finished using the Tristand, turn it upside down and push down on the tray to return it to its closed position.

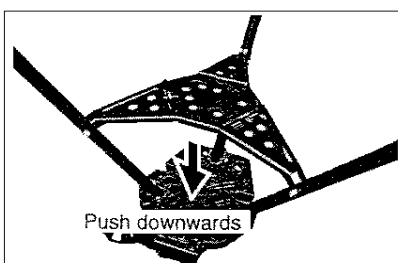


Fig. 3 Storing the Tristand

WARNING

- Be careful not to pinch your fingers when pushing down the tool tray as you set up. Also, keep your face away from the tray in case it suddenly jumps back.
- Be careful not to apply too much force when you put the stand away or the legs may suddenly close up and you could possibly injure yourself or hit yourself in the face.
- Do not use excessive force on the leg chain or else it could break. Walk evenly when carrying the stand

■ Tray Support

If the tray becomes a bit loose, or if you need to change the angle of the legs, you can do so with the tray support. Loosen the adjustment bolt shown in Fig. 5, move the tray support in the appropriate direction as shown by the arrows, and then retighten the bolt.

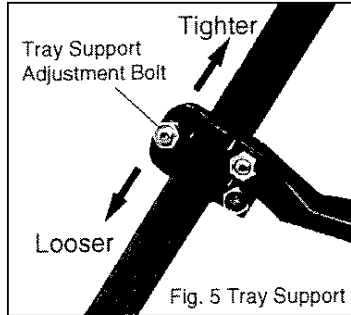


Fig. 5 Tray Support

⚠ WARNING

- Ensure the adjustment bolt is firmly fixed in position. If it is too loose, the vise could become unstable, which could lead to injury or an accident.

■ Jack Screw

If you use the bending grooves, etc., and the vise starts to lift up, you can stabilize and fix it in place by placing a pipe of sufficient length between the jack screw and a firm, roof beam.

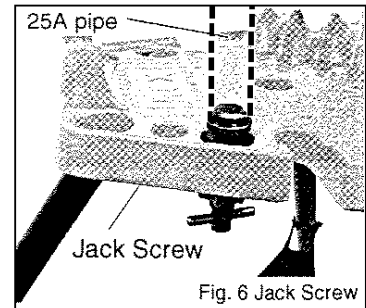


Fig. 6 Jack Screw

⚠ WARNING

- Before use, ensure that the pipe is firmly in place. If the pipe comes loose while using the vise, the vise may overturn, which could lead to injury or an accident. Make sure you use a place where you can fix the pipe in position securely without it slipping.

■ For Safe Operation

⚠ WARNING

① Use only in a stable location

- Make sure the feet are in a stable position which allows the vise to keep its balance.
- If it overturns, it could result injury.

② Check for damage

- Before use, make sure there is no damage to any of the working parts and that the vise can fully operate in a normal way and perform all its prescribed functions correctly.

③ Be careful not to get your fingers, etc. caught when setting up the tool tray

- When setting up the tool tray, folding up the stand to carry it, or when putting it away for storage, be careful not to get your fingers caught in the tray.

④ Make sure you use the leg chain to fix the legs in position when carrying the Tristand

- Use the leg chain without fail!
- Using excessive force on the leg chain could break the links resulting in injury or an accident.

⑤ Ensure the workpiece is securely fixed in position before starting work

- If the chain is loose, the pipe could fall off, which could lead to a very dangerous situation.

⑥ Be careful the stand does not fall over.

- Should it be necessary to apply considerable force to the vise stand, be sure to remove the rubber pads on the grommets and fix the stand in position with an anchor or similar.
- If the stand falls over it could lead to injury or an accident

⑦ Store carefully when not in use

- Store in a dry, locked room, out of the reach of children

⑧ Always ask a specialist to carry out any repairs or an overhaul

- REX products are designed to comply with high standards of safety. Never try to dismantle or repair them yourself.
- For any repairs, always contact the place where you purchased the product, or your nearest REX sales office.



WHEELER MANUFACTURING

Div. of REX International U.S.A. Inc.

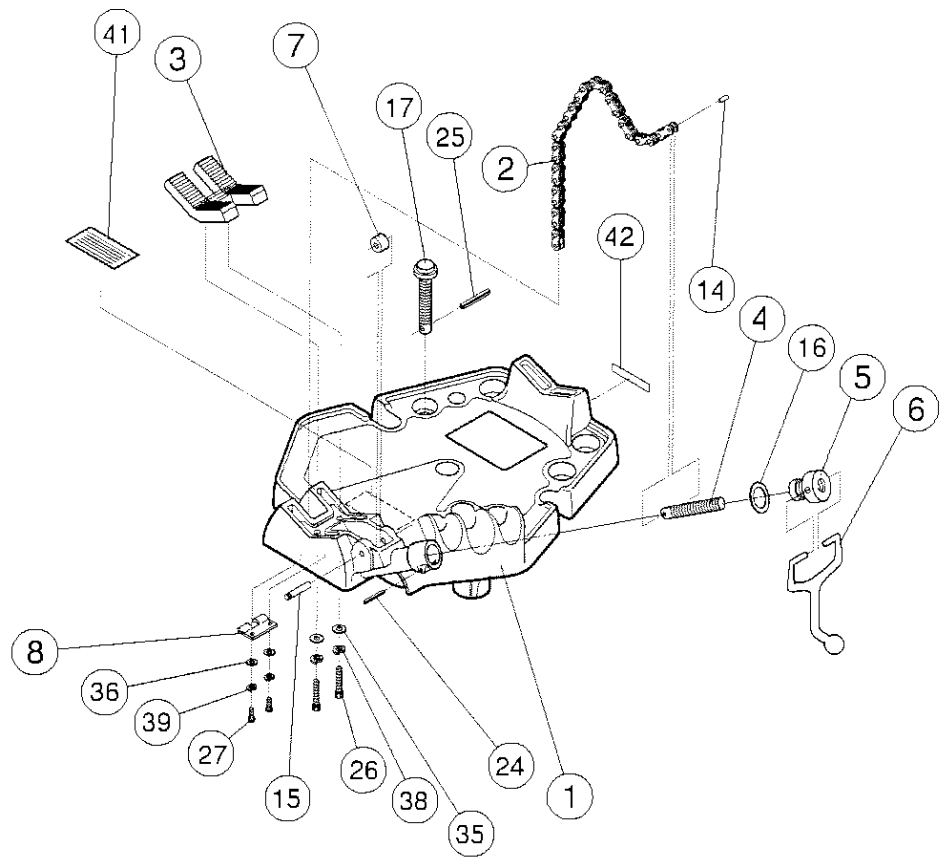
P.O.Box 688, 3744 Jefferson Road, Ashtabula OH44005

Ph:440 - 998 - 2788 · Fax : 440 - 992 - 2925

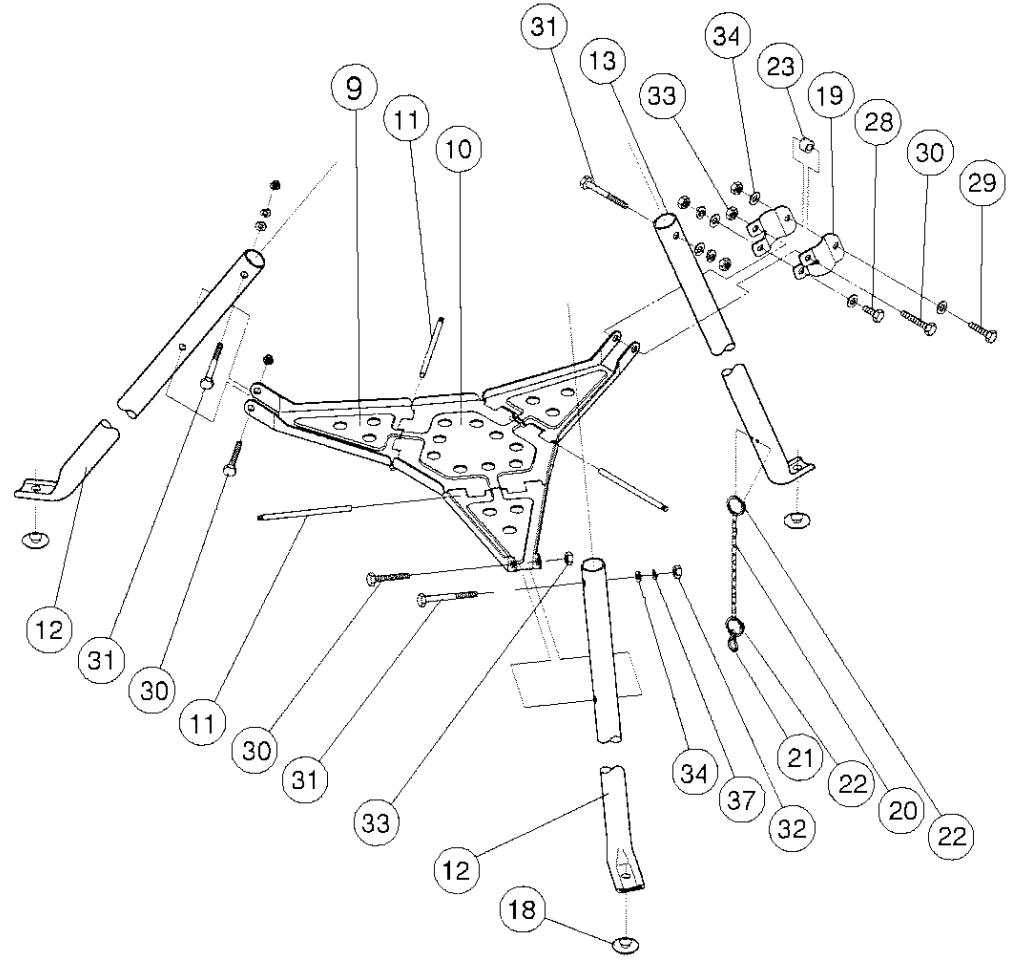
Toll Free: 1 - 800 - 321 - 7950

Web Site: www.wheelerrex.com

1.base



2.Legs



Red Top 4160				
No.	Part No.	Description		Qty
1	606737	Base	VS01	1
2	606738	Chain	VS02	1
3	606739	Jaw	VS03	1
4	606740	Chain Screw	VS04	1
5	606741	Swivel Nut	VS05	1
6	606742	Handle	VS06	1
7	606743	Roller	VS07	1
8	606744	Wear Plate	VS08	1
9	606745	Tool Tray (A)	VS09	3
10	606746	Tool Tray (S)	VS10	1
11	606747	Tray Pin	VS11	3
12	606748	Leg (A)	VS12	2
13	606749	Leg (B)	VS13	1
14	606750	Chain Pin	VS14	1
15	606763	Roller Pin	VS15	1
16	606751	Friction Ring	VS19	1
17	606752	Jack Screw	VS25	1
18	606753	Grommet	VS27	3
19	606754	Tray Support	VS28	1
20	606755	Leg Chain	VS29	1
21	606756	Leg Chain Snap	VS30	1
22	606757	Leg Chain Ring	VS31	2
23	606764	Tray Support Collar	VS16	1
24	606758	Pin (5x35)	WM530	1
25	600925	Roll Pin (8x55)	WL890	1
26	606759	Socket Head Cap Screw (M8x40)	WO840	2
27	603666	Socket Button Head Cap Screw (M6x15)		2
28	600473	Hex Head Cap Screw (M10x20)	W1000	1
29	600249	Hex Head Cap Screw (M10x30)	W1010	1
30	606760	Hex Head Cap Screw (M10x50)	W1050	3
31	606761	Hex Head Cap Screw (M10x75)		3
32	600148	Nut (M10)	WC100	5
33	606762	Lock Nut (10)	WE110	3
34	600147	Washer (M10)	W1050	7
35	600245	Washer (M8)	W1810	2
36	600211	Washer (M6)	W1620	2
37	600182	Spring Washer (M10)	WG100	4
38	600130	Spring Washer (M8)	WG080	2
39	600132	Spring Washer (M6)	WG060	2
41	606766	Warning Label	9A62	1
42	600767	Label	9A63	1
43	606400	Name Plate	VS52	1
44	600621	Rivet for BC		2

Gray Top 4160				
No.	Part No.	Description		Qty
1		Base	VS40	1
2	606738	Chain	VS02	1
3	606739	Jaw	VS03	1
4	606740	Chain Screw	VS04	1
5	606741	Swivel Nut	VS05	1
6	606742	Handle	VS06	1
7	606743	Roller	VS07	1
8	606744	Wear Plate	VS08	1
9	606745	Tool Tray (A)	VS09	3
10	606746	Tool Tray (S)	VS10	1
11	606747	Tray Pin	VS11	3
12	606748	Leg (A)	VS12	2
13	606749	Leg (B)	VS13	1
14	606750	Chain Pin	VS14	1
15	606763	Roller Pin	VS15	1
16	606751	Friction Ring	VS19	1
17	606752	Jack Screw	VS25	1
18	606753	Grommet	VS27	3
19	606754	Tray Support	VS28	1
20	606755	Leg Chain	VS29	1
21	606756	Leg Chain Snap	VS30	1
22	606757	Leg Chain Ring	VS31	2
23	606764	Tray Support Collar	VS16	1
24	606758	Pin (5x35)	WM530	1
25	600925	Roll Pin (8x55)	WL890	1
26	606759	Socket Head Cap Screw (M8x40)	WO840	2
27	603666	Socket Button Head Cap Screw (M6x15)		2
28	600473	Hex Head Cap Screw (M10x20)	W1000	1
29	600249	Hex Head Cap Screw (M10x30)	W1010	1
30	606760	Hex Head Cap Screw (M10x50)	W1050	3
31	606761	Hex Head Cap Screw (M10x75)		3
32	600148	Nut (M10)	WC100	5
33	606762	Lock Nut (10)	WE110	3
34	600147	Washer (M10)	W1050	7
35	600245	Washer (M8)	W1810	2
36	600211	Washer (M6)	W1620	2
37	600182	Spring Washer (M10)	WG100	4
38	600130	Spring Washer (M8)	WG080	2
39	600132	Spring Washer (M6)	WG060	2
41	606766	Warning Label	9A62	1
42	600767	Label	9A63	1
43		Name Plate	VS51	1