

# Capitol Style Cutter



## Internal Pipe Cutter for closet bends and soil pipe

### Instructions for use and care of your cutter:

1. Cross handle must be kept tight and the tool held steady until it has scored a fine cut on the pipe. Then by tightening the cross handle and turning the cutter a few times, the pipe will crack off.
2. Oil the cutter wheels, pins and the cross handle occasionally.
3. Wheels can be used for standard or extra heavy weight pipe.
4. The tripod support is made of cast aluminum and care should be taken not to throw the cutter about and crack the support.

**Keep wheels  
oiled at all times!!**

### How to replace the cutter wheels:

Move the opening on the top spring to one of the pin openings. Do likewise with the bottom spring. Using the bottom opening, knock out the pin. Replace the wheel. After replacing the wheels, rearrange the openings on the springs equidistant from each other as they were.

### **42900 for Cast Iron Pipe**

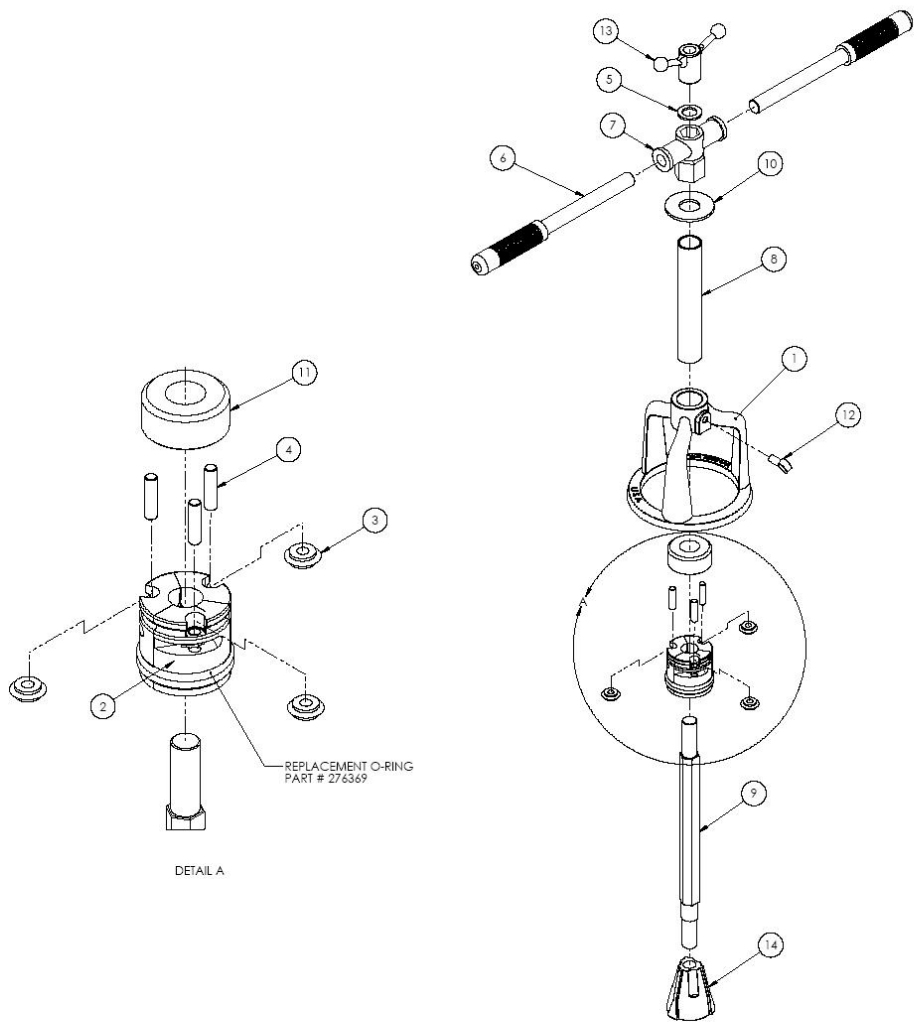
It will fit into a minimum size of  
3-13/16" pipe.

### **32900 for Cast Iron Pipe**

It will fit into a minimum size of 2-7/8" pipe.

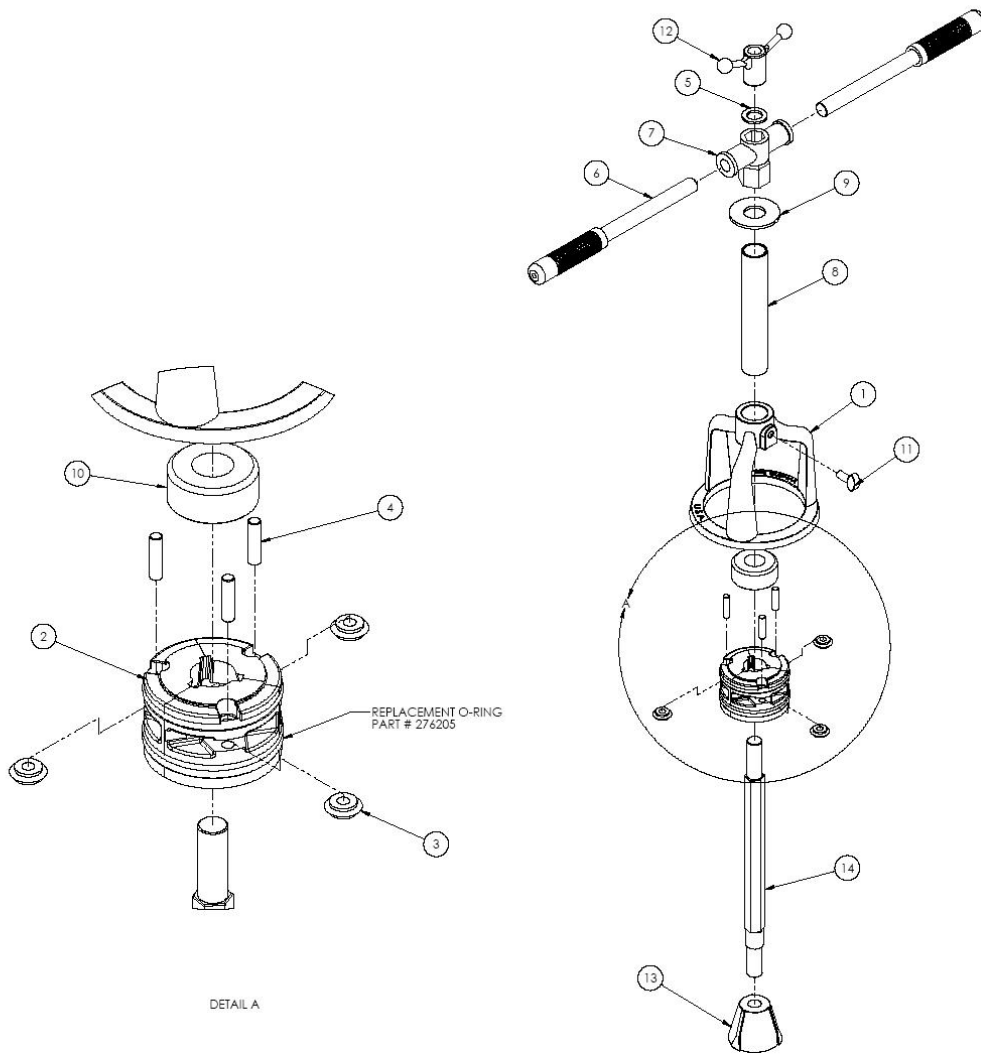


Wheeler-Rex  
T: 800-321-7950 \* F: 440-992-2925  
wheeler@wheelerrex.com \* www.wheelerrex.com



3744 Jefferson Rd., Ashtabula, OH 44005  
 DESCRIPTION:  
 3" CAPITAL STYLE CUTTER  
 PART NO. 32900

ITEM NO.	PART NUMBER	DESCRIPTION	QTY
1	700211	TRIPOD SUPPORT	1
2	700235	SEGMENT SET w/o WHEELS	1
3	700201	C.I. CUTTER WHEEL (SOIL PIPE)	3
4	276097	DOWEL PIN	3
5	700206	FRICTION WASHER	1
6	652	HANDLE ASBY	2
7	700196	T-HANDLE	1
8	700193	OUTER PIPE	1
9	700216	SHAFT	1
10	276407	WASHER	1
11	700234	PUSH WASHER (THICK)	1
12	276190	3/8-16 x 3/4" THUMB SCREW	1
13	700220	FEED HANDLE	1
14	700217	3" Wedge (Machined)	1



3744 Jefferson Rd., Ashtabula, OH 44205  
 DESCRIPTION:  
 4" CAPITAL STYLE CUTTER  
 PART NO. 42900

ITEM NO.	PART NUMBER	DESCRIPTION	QTY
1	700211	TRIPOD SUPPORT	1
2	700236	4" SEGMENT SET w/o WHEELS	1
3	700201	C.I. CUTTER WHEEL (SOIL PIPE)	3
4	276097	DOWEL PIN	3
5	700206	FRICITION WASHER	1
6	652	HANDLE ASBY	2
7	700196	T-HANDLE	1
8	700193	OUTER PIPE	1
9	276407	WASHER	1
10	700234	PUSH WASHER (THICK)	1
11	276190	3/8-16 x 3/4" THUMB SCREW	1
12	700220	FEED HANDLE	1
13	700219	4" WEDGE (Machined)	1
14	700216	SHAFT	1