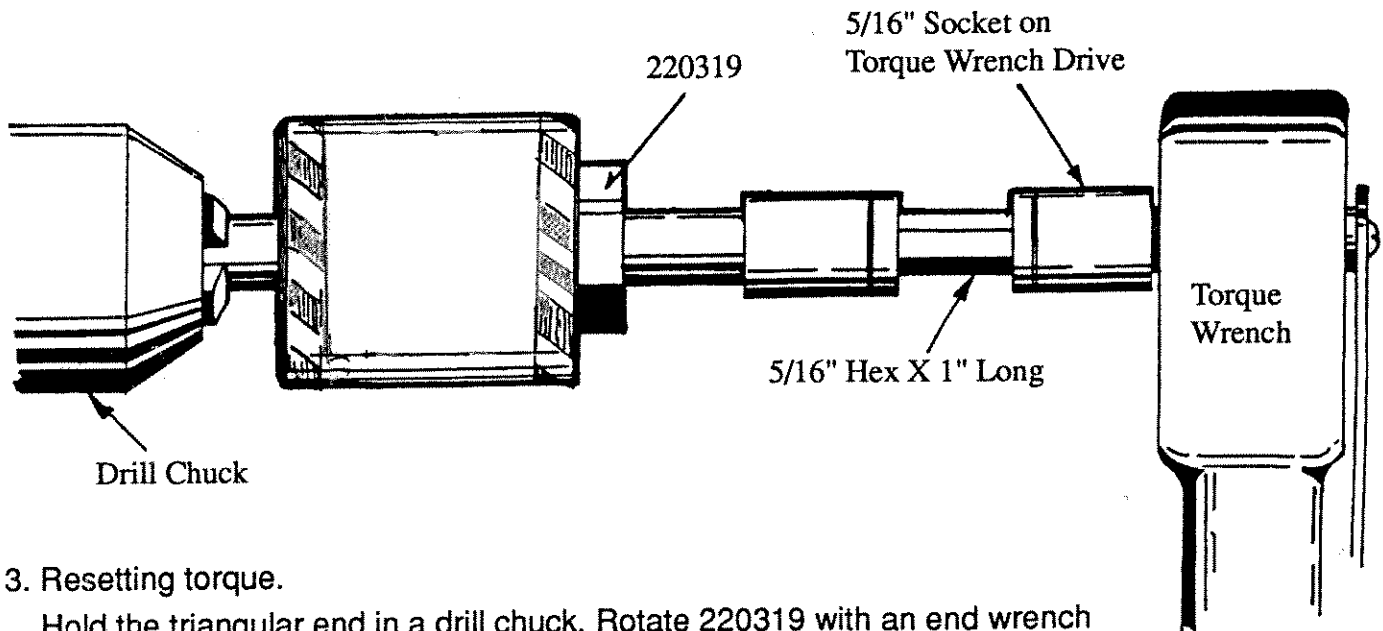




WHEELER - REX 1974 FASTITE OPERATING INSTRUCTIONS

1. Simply install "Fastite" in the chuck of a (*) 3/8 drill and fit socket over the hex head of the screw to be tightened (or loosened).
2. Turn on power until screw is tight. Drill and drive cylinder will continue to turn-socket and screw will stop turning at the preset torque.

CAUTION! Hold drill motor firmly with both hands to resist **80 IN.-LB.** counterclockwise torque when tightening-clockwise torque when loosening. Uncontrolled torque feedback can cause injury.



3. Resetting torque.

Hold the triangular end in a drill chuck. Rotate 220319 with an end wrench while preventing triangular end from rotating. Tighten or loosen 220319 nut until desired torque is set. Check with a good quality torque wrench.

- * Recommended drill motor size and type:
Chuck capacity: 3/8" Minimum
Electrical Rating: 3.2 Amps Minimum 120 Vac.
Variable speed: 0-900/1200 RPM
Accessories: Side handle



Wheeler Manufacturing, Div Rex International USA Inc.
3744 Jefferson Road Ashtabula, OH 44004

Tel: 1 800 321 7050 Fax: 1 440 993 2025 www.wheelerrex.com