

WHEELER-REX PROFESSIONAL TOOLS

HINGED PIPE CUTTERS

- *Unique guide bar design ensures smooth cutter operation... minimizes impact damage.*
- *Five sizes available to cut ductile, cast iron & steel pipe from 1/2" to 12" (12 mm–304 mm).*
- *True-Trac design accurately positions cutter wheels for clean, square cuts.*
- *Features universal cutter wheels ideal for cutting most metals.*



Wheeler Manufacturing, Division of Rex International U.S.A., Inc.
P.O. Box 688, 3744 Jefferson Road, Ashtabula, Ohio 44005

Phone: 440-998-2788 **Fax:** 440-992-2925 **Toll-Free:** 1-800-321-7950 **www.wheelerrex.com**

HINGED PIPE CUTTERS



Low profile design requires just 4" of clearance around pipe (1-1/4" for the 5090).

The Wheeler-Rex Hinged Pipe Cutter brings together everything you want in a rugged, hard working four wheel pipe cutter.

The Hinged Pipe Cutter Features:

- Accurate, square pipe cuts
- Minimal clearance operation, ideal for use in confined areas
- Interchangeable cutter wheels and pins
- The ability to cut ductile, stainless steel, cast iron and heavy wall steel pipe from 1/2" to 12" (12 mm–304 mm)
- Heavy duty construction for years of reliable operation

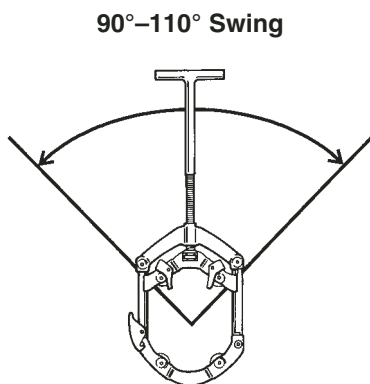
The Wheeler-Rex Hinged Pipe Cutter also features a unique guide bar design that ensures years of smooth, easy operation, because it won't collect dirt and grime like channel guide designs. Universal cutter wheels are ideal for cutting most metals and are interchangeable with many other makes of hinged pipe cutters.

Now that you've tried all the other cutters, it's time to buy the best Hinged Pipe Cutter... from Wheeler-Rex, of course. Call your distributor for a demo today!

Contact your local dealer for complete details.

Distributed by: _____

Hinged Pipe Cutting Capacity Chart				
Part No.	Pipe Capacity		Weight	
	Inches Nom.	Actual OD mm	lbs	kg
5090	1/2"–2"	12–60 mm	6	3
95041	2-1/2"–4"	62–125 mm	14	6
95061	4"–6"	114–182 mm	22	10
95081	6"–8"	168–240 mm	28	13
95121	8"–12"	219–356 mm	39	18



Four wheels cut steel, cast iron and ductile with only 90° to 110° handle swing, and only 4 inch clearance required.



Wheeler Manufacturing, Division of Rex International U.S.A., Inc.
P.O. Box 688, 3744 Jefferson Road, Ashtabula, Ohio 44005

Phone: 440-998-2788 Fax: 440-992-2925 Toll-Free: 1-800-321-7950 www.wheelerrex.com