



Operating Instructions Models 46701 and 467010 Hydrostatic Test Pumps

Specifications

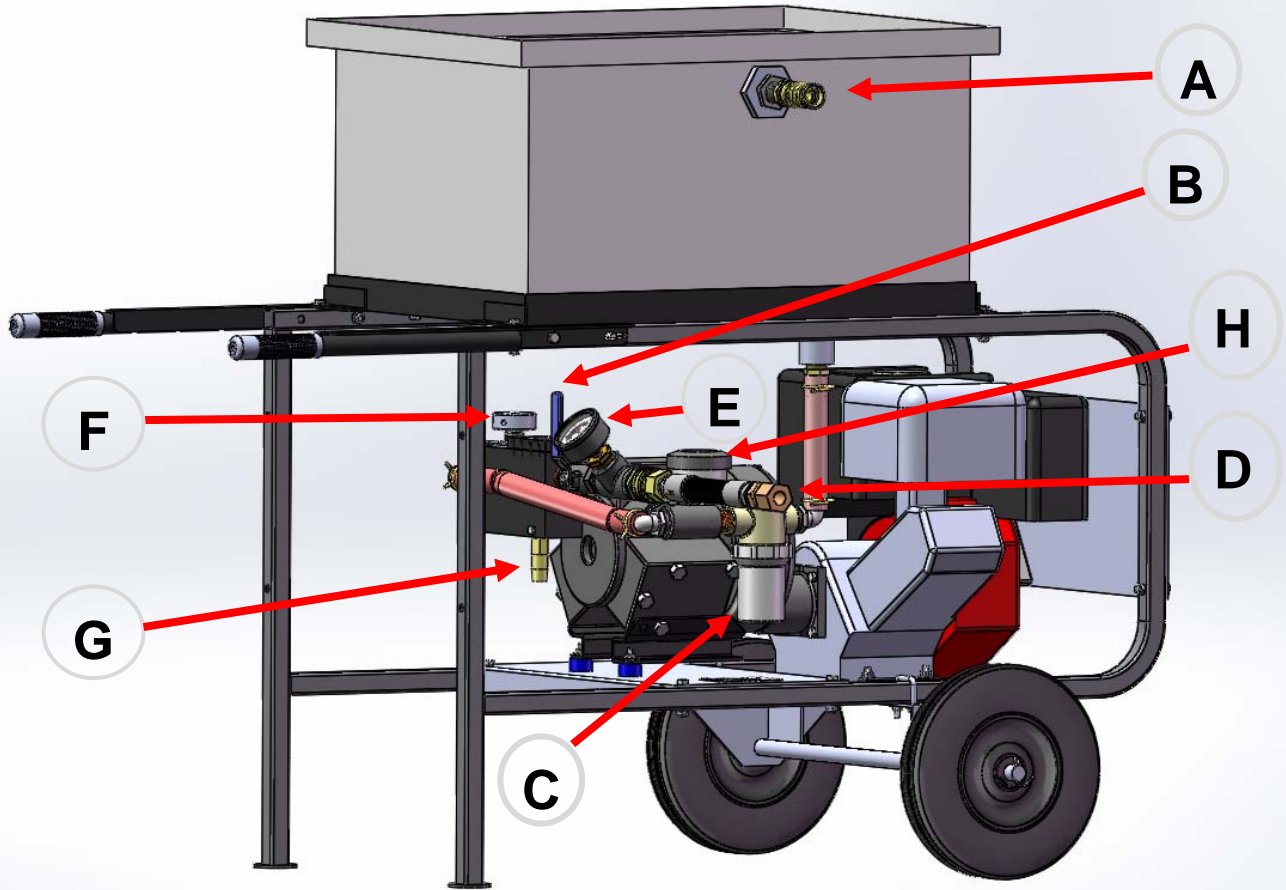
46701	
DIMENSIONS:	28" (11cm) W x 50" (20cm) H x 25" (10cm) L
WEIGHT:	203 lbs 92.5 kg
PUMP:	Triple Diaphragm: Positive Displacement Ports: 1" inlet ; ¾" NPT outlet Capacity: 10 GPM, 38lpm Pressure: 100-500psi Operating Speed: 550rpm Lubrication: Pump - 30W Non-detergent Oil Gear – 80/90W Gear Oil Shaft Size: 1"
ENGINE:	6.5 HP Briggs & Stratton Intek Pro
CONTROL:	0 – 500psi pressure relief
GAUGE:	Glycerin filled, 0 – 600psi, 0-42 kg
DISCHARGE HOSE:	¾" x 10' (3m) 1000psi rated
INLET CONNECTION:	¾" Garden Hose
TANK	22 Gallon Poly with Float Control



467010	
DIMENSIONS:	28" (11cm) W x 50" (20cm) H x 25" (10cm) L
WEIGHT:	203 lbs 92.5 kg
PUMP:	Triple Diaphragm: Positive Displacement Ports: 1" inlet ; ¾" NPT outlet Capacity: 10gpm, 38lpm Pressure: 100-500psi Operating Speed: 550rpm Lubrication: Pump - 30W Non-detergent Oil Gear – 80/90W Gear Oil Shaft Size: 1"
ENGINE:	5.5hp Honda engine
CONTROL:	0 – 500psi pressure relief
GAUGE:	Glycerin filled, 0 – 600psi, 0-42 kg
DISCHARGE HOSE:	¾" x 10' (3m) 1000psi rated
INLET CONNECTION:	¾" Garden Hose
TANK	22 Gallon Poly with Float Control



Operating Instructions Models 46701 and 467010 Hydrostatic Test Pumps



A	Water Inlet Connection
B	Isolation Valve
C	Strainer
D	High Pressure Hose Connection
E	Gauge
F	Pressure Relief Valve
G	Safety Valve
H	Oil Reservoir



Operating Instructions Models 46701 and 467010 Hydrostatic Test Pumps

Pressure Feed Method:

1. Fill the water line (or test vessel) to be tested prior to pump connection.
2. Connect water supply hose to the garden hose inlet (A) connection on the supply tank.
3. Open valve and turn supply water on and allow the tank to fill. Tank is equipped with a float control valve. This allows the water to fill the tank and will automatically shut off to avoid over filling the tank.
4. Purge the pump & pressure hose of all air.
5. Connect output (pressure) hose between pump outlet connection (D) and water line (or vessel) being tested.
6. Turn pump on.
7. Purge water line (or vessel) of all air at the highest point of the system.
8. Bring water line (or vessel) to pressure. Watch the gauge (E) while pumping. When the desired pressure is achieved; turn the isolation valve (B) to the 'off' position. The engine can now be turned off. If pressure drops off, there is a leak in the line.

Pre-Setting Your Pump

Your pump can be pre-set to a specific pressure easily by adjusting the pressure relief valve.

1. Unscrew (counter clockwise direction) pressure relief valve knob (F) until it stops. Your pump will now be at 0 (zero) psi.
2. Add a ball valve (not supplied w/ pump) to the end of the high pressure hose.
3. Follow steps 2 thru 4 from the 'Pressure Feed Method' above.
4. As water is flowing out of the high pressure hose turn the ball valve attached at the end of the hose to the off position.
5. Slowly start turning pressure relief valve knob (F) in the clockwise direction by $\frac{1}{4}$ turn increments until you reach the desired pressure. When knob is turned in all the way the maximum pressure is achieved (500 psi).
6. Your test pump is now pre-set. This eliminates over-pressurizing the water line (or vessel).



Operating Instructions Models 46701 and 467010 Hydrostatic Test Pumps

Troubleshooting Your Pump

- Test pressure not being reached
 - ◇ Possible air in air in line (or vessel)
 - * Air needs to be purged from system.
 - * Check strainer (C) O-ring for cracks.
 - * Remove pump from system & follow steps 1 thru 6 of the 'Pre-Setting Your Pump' section.
 - ◇ Oil Reservoir is milky in color
 - * Diaphragm is cracked, causing water to mix with oil. Diaphragms need replaced.
 - ◇ Pressure relief valve not adjusted properly
 - * Turn relief valve (F) clockwise and watch for change in pressure.

Pump Maintenance

- Pump 50/50 antifreeze/water solution thru pump after each use to avoid freezing and to lubricate pump.
- Check strainer (C) O-ring for cracks prior to each use.
- Check & change engine oil per manufactures specs.
- Gear Reduction 16oz of 90w Gear lube. Change per manufacturers specs.
- Pump Repair Kit (Wheeler Rex PN #36345)
- Check oil level in reservoir (H). Add / replace per manufacturers specifications. Use UDOR lube or a non-detergent 30W oil.

Safety Valve

Safety valve is designed to "pop off" or bleed off any extra pressure.

CAUTION !!!
This pump is designed for water only!!

The pump is equipped with an adjustable pressure relief valve (F), which helps protect the system from being over pressurized. It can be preset by plugging the end of the hose. Turn the adjusting knob clockwise to increase pressure and counterclockwise to decrease.



WHEELER-REX LIMITED LIFETIME WARRANTY

WHEELER-REX covers its products with a Limited Lifetime Warranty, with exception of pipe threading machines which have a Limited Three Year Warranty (including electric motors). Warranties from manufacturers of components used in our products may pre-empt the Wheeler-Rex warranty. Wheeler-Rex warranties against defects in material or workmanship. To take advantage of this warranty, the complete product must be delivered prepaid to Wheeler-Rex or any WHEELER-REX AUTHORIZED SERVICE CENTER. No tools are to be returned to the factory without receiving prior authorization. Obviously, failures due to misuse, abuse, or normal wear and tear are not covered by this warranty. **NO OTHER WARRANTY, WRITTEN, OR ORAL, APPLIES. THERE ARE NO WARRANTIES WHICH EXTEND BEYOND THE DESCRIPTION ON THE FACE HEREOF.** No employee, agent, dealer, or other person is authorized to give any warranty on behalf of Wheeler-Rex. Warranted products will be repaired or replaced at our option, at no charge and returned to you via prepaid transportation. Such replacement or repair is the exclusive remedy available from Wheeler-Rex. Wheeler-Rex is not liable for damage of any sort, including incidental and consequential damages. Some U.S.A. states do not allow the exclusion or limitation of incidental or consequential damages, so the above limitation or exclusion may not apply. This warranty gives you specific legal rights, and you may also have other rights which vary from state to state.

Form # 1031

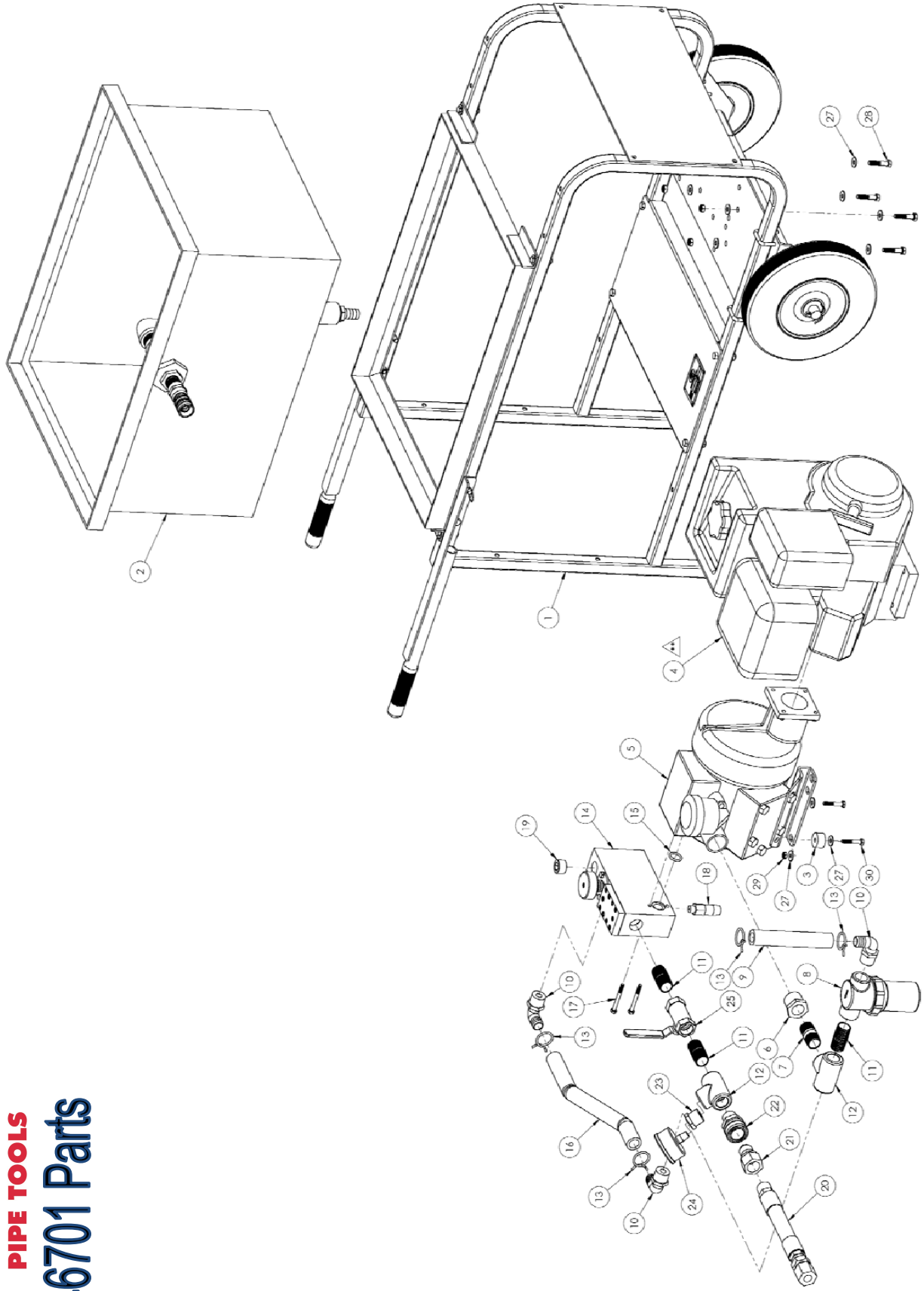
WARNING

GENERAL TOOL OPERATION WARNINGS

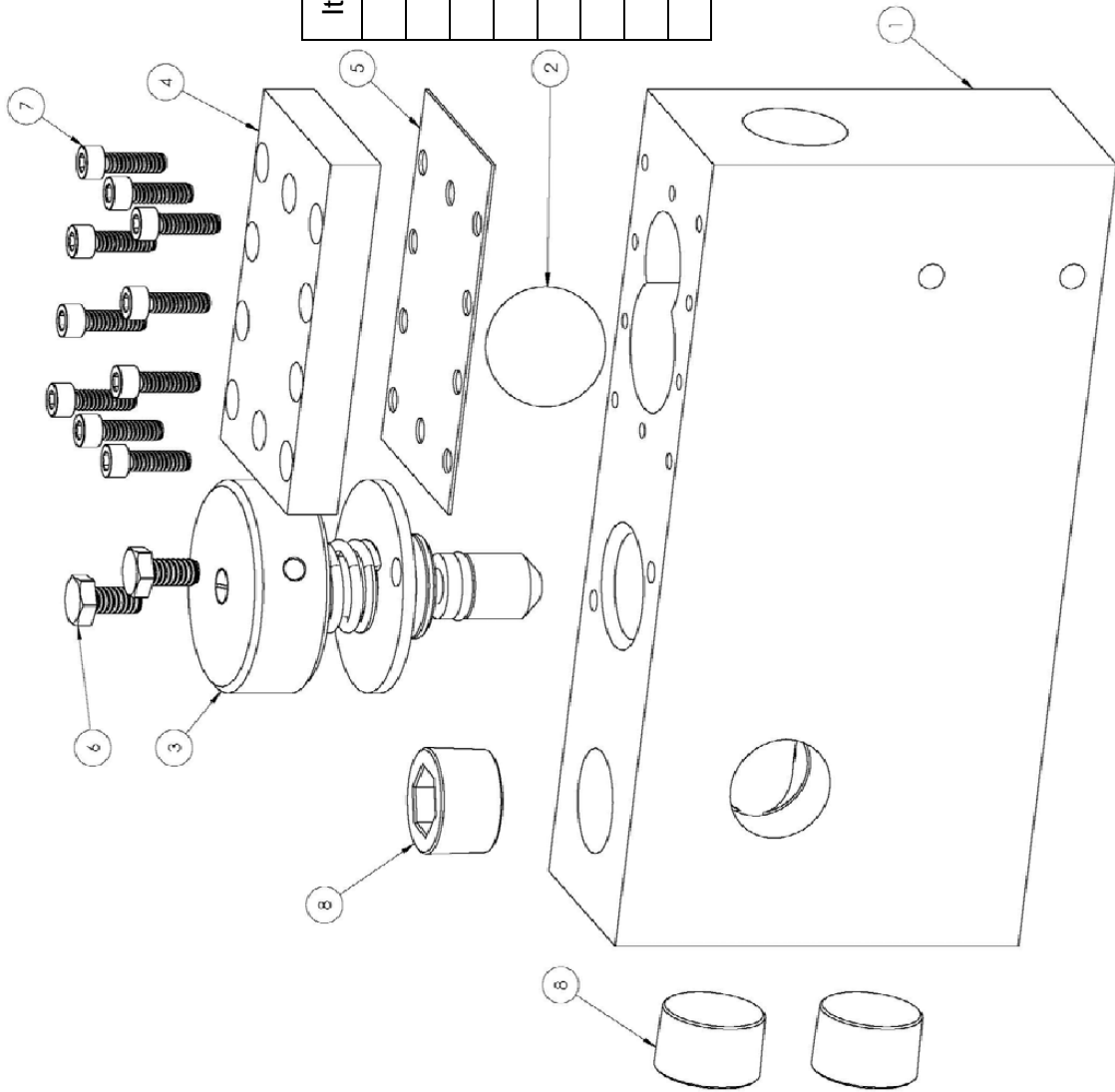
FOR ALL TOOLS-

1. **Keep Guards in Place** and in working order.
2. **Remove Adjusting Keys and Wrenches** from tool before turning it on.
3. **Keep Work Area Clean.** Cluttered areas and benches invite accidents.
4. **Avoid Dangerous Environment.** Don't use power tools in damp or wet locations. Keep work area well lit. Don't expose power tools to rain.
5. **If you must use an electric tool in a damp or wet location;** make sure it is plugged into a circuit which is protected by a ground fault interrupt.
6. **Keep Children Away. ALL VISITORS SHOULD BE KEPT A SAFE DISTANCE FROM WORK AREA.**
7. **Store Idle Tools** in dry, high, or locked-up place out of reach of children.
8. **Don't Force Tool.** It will do a better and safer job at the rate for which it is designed.
9. **Use Right Tool.** Don't force a small tool or attachment to do the job of a heavy-duty tool.
10. **Wear Proper Apparel.** No loose clothing or jewelry to get caught in moving parts. Rubber gloves and footwear are recommended when working outdoors.
11. **Use Safety Glasses.**
12. **Don't Abuse Cord.** Never carry tool by cord or yank it to disconnect from receptacle. Keep cord from heat, oil, and sharp edges.
13. **Secure Work.** Use clamps or vise to hold work when practical. It's safer than using your hand and it frees both hands to operate tool.
14. **Don't Overreach.** Keep proper footing and balance at all times.
15. **Maintain Tools Properly.** Keep tools sharp and clean for best and safest performance. Follow instructions for lubricating and changing accessories. Equipment operators must have proper maintenance & instruction sheets. Be sure the tool operator reads and understands this information. If you don't have current maintenance and instruction sheets, contact the factory & we will supply them at no charge.
16. **Disconnect Tools** when not in use; before servicing; when changing accessories such as dies, cutters, etc.
17. **Avoid Accidental Starting.** Don't carry plugged-in tool with finger on switch. Be sure switch is off when plugging in.
18. **Outdoor Use Extension Cords.** When tool is used outdoors, use only extension cords suitable for use outdoors and so marked.
19. **Wear Ear Protection** if exposed to long periods of very noisy shop operations.
20. **Do not operate tools** while under the influence of alcohol, drugs or medication.

▲ USE PART #276140 (HONDA ENGINE) FOR PUMP ASSEMBLY 467010



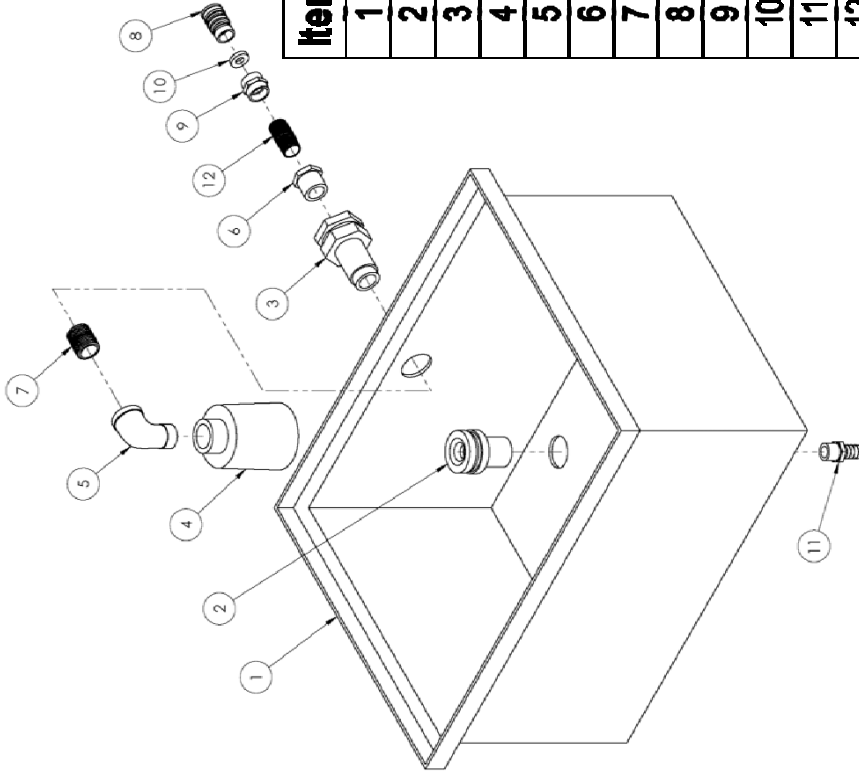
Item	Part No	Description	Qty
1	701131	CART ASSEMBLY	1
2	700539	TANK ASSEMBLY	1
3	701129	SPACER	2
4	275684	6.5 HP BRIGGS & STRATTON ENGINE	1
5	276908	KAPPA 43 TRIPLE DIAPHRAM PUMP	1
6	276103	1" x 3/4" HEX REDUCER BUSHING	1
7	275650	3/4" x 2" NIPPLE	1
8	275932	STRAINER, HYPRO 3350-0040P	1
9	701127	INPUT HOSE	1
10	276116	3/4 MP x 3/4 MH 90 DEG HOSE BARB	3
11	276102	3/4" BRASS CLOSE NIPPLE	3
12	275644	3/4" TEE	2
13	276105	HOSE CLAMP, 1 1/8" OD RC HC-18S	4
14	700896	MANIFOLD ASSEMBLY	1
15	276111	O-RING	1
16	701128	BY-PASS HOSE	1
17	276109	M6 x 60MM HEX HEAD CAP SCREW	2
18	275950	SAFETY VALVE, CAT 30960	1
19	276406	3/4" NPT PIPE PLUG	1
20	221065	HOSE ASSEMBLY, 1000 PSI	1
21	276101	PH QD MALE HALF BST N6	1
22	276100	PH QD FEM HALF BST-6M	1
23	276108	3/4" x 1/4" BRASS REDUCER BUSHING	1
24	36359	0-600 PSI GAUGE	1
25	275927	3/4" BALL VALVE	1
26	275857	5/16-18 HEX NYLON INSERT LOCKNUTS	4
27	275685	5/16" FLAT WASHER	12
28	275638	5/16 x 1 1/2" HEX HEAD CAP SCREW	4
29	729	1/4-20 THIN ESNA NUT	2
30	275456	1/4-20 x 1 1/2" HHCS	2



Item	Part No	Description	Qty
1	700895	MANIFOLD	1
2	276098	1 1/8" SS BALL	1
3	700887	SPOOL ASSEMBLY	1
4	700124	MANIFOLD LID	1
5	700232	GASKET	1
6	276536	1/4"-20 x 1/2 SS HHCS	2
7	275070	#10-24 x 5/8" SHCS	10
8	276406	3/4" NPT PIPE PLUG	3



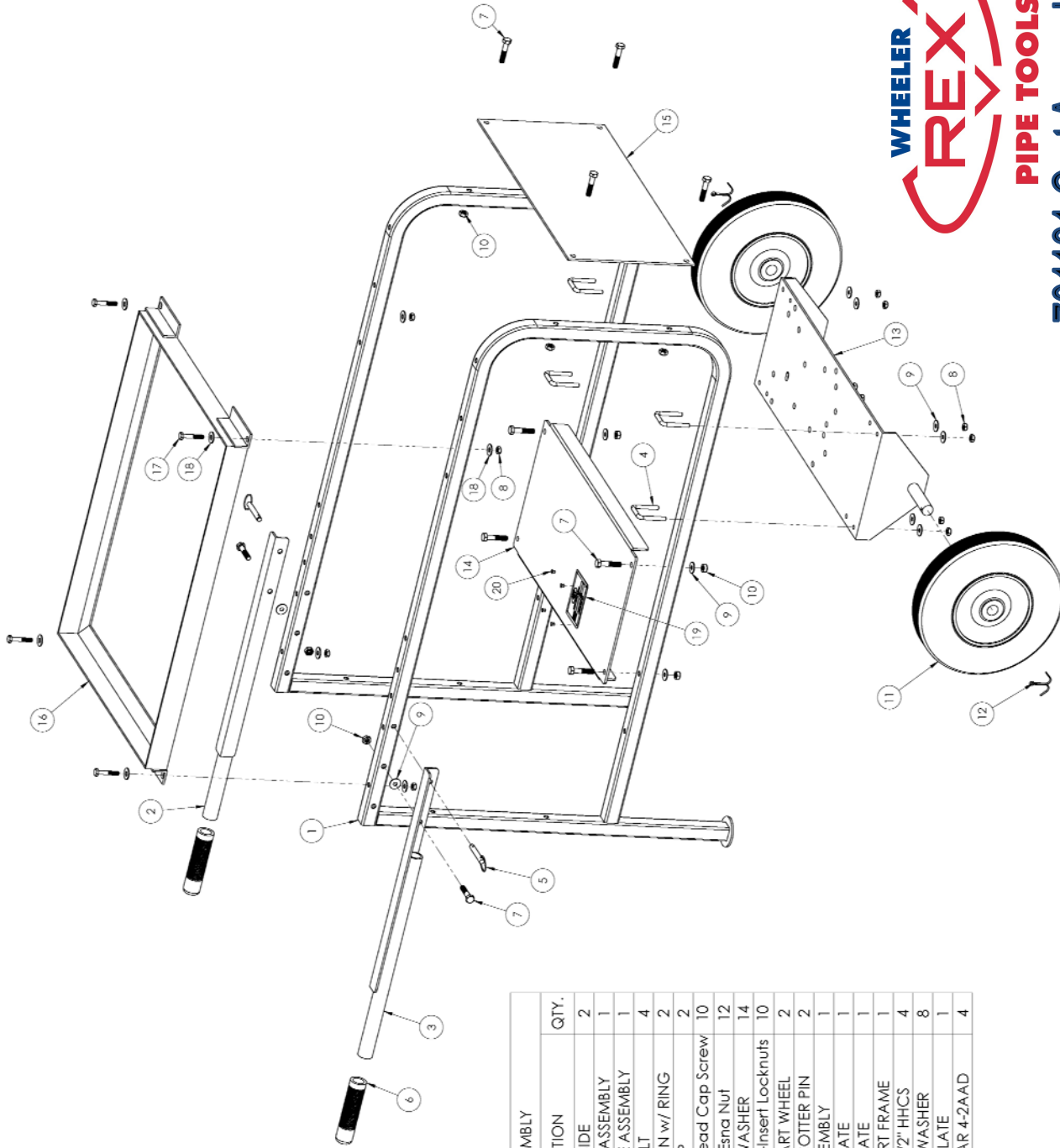
700896 Manifold Assembly Parts



Item	Part No	Description	Qty
1	276431	HEAVY DUTY POLY TANK	1
2	276428	3/4" PVC BULK HEAD FITTING	1
3	276430	1" PVC BULK HEAD FITTING	1
4	276429	FLOAT VALVE	1
5	275928	STREET ELBOW 1" 150#	1
6	276103	1" x 3/4" HEX REDUCER BUSHING	1
7	275646	3/4" CLOSE NIPPLE	1
8	276099	3/4" HOSE QUICK DISCONNECT	1
9	275874	3/4" FH x 3/4" FP ADAPTER	1
10	275941	HOSE WASHER	1
11	275651	3/4" HOSE BARB	1
12	276354	1" CLOSE NIPPLE	1



700539 Tank Assembly



WHEELER
REX
PIPE TOOLS
701131 Cart Assembly

701131 CART ASSEMBLY			
ITEM NO.	PART NUMBER	DESCRIPTION	QTY.
1	700387	CART SIDE	2
2	700859	LEFT HANDLE ASSEMBLY	1
3	700858	RIGHT HANDLE ASSEMBLY	1
4	700406	U-BOLT	4
5	276752	COTTERLESS PIN w/ RING	2
6	154	GRIP	2
7	275638	5/16 x 1 1/2" Hex Head Cap Screw	10
8	729	1/4-20 Thin Esna Nut	12
9	276540	1/4" FLAT WASHER	14
10	275857	5/16-18 Hex Nylon-Insert Locknuts	10
11	276441	THREADER CART WHEEL	2
12	276330	1/8 x 2.5/16 COTTER PIN	2
13	700943	AXLE ASSEMBLY	1
14	700385	END PLATE	1
15	700958	END PLATE	1
16	701035	TANK SUPPORT FRAME	1
17	275456	1/4-20 x 1 1/2" HHCS	4
18	275685	5/16" FLAT WASHER	8
19	220874	NAME PLATE	1
20	275543	POP RIVET, STAR 4-2AAD	4



Wheeler Rex ▪ 3744 Jefferson Road ▪ Ashtabula, Ohio 44005
Tel: 800-321-7950 or 440-998-2788 ▪ Fax: 440-992-2925
wheeler@wheelerrex.com ▪ www.wheelerrex.com