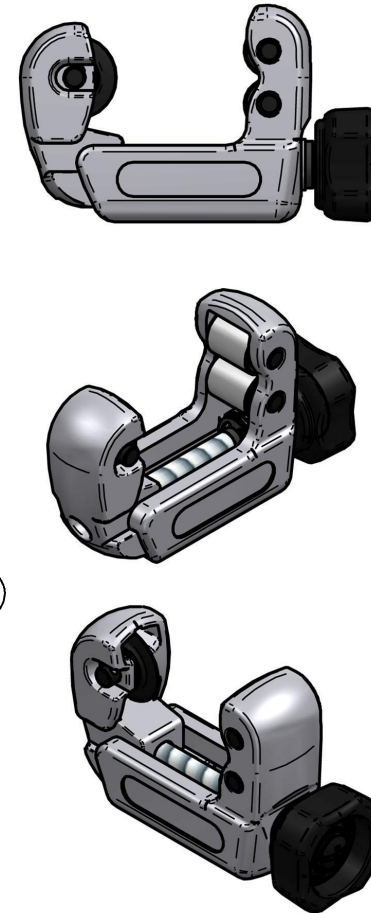
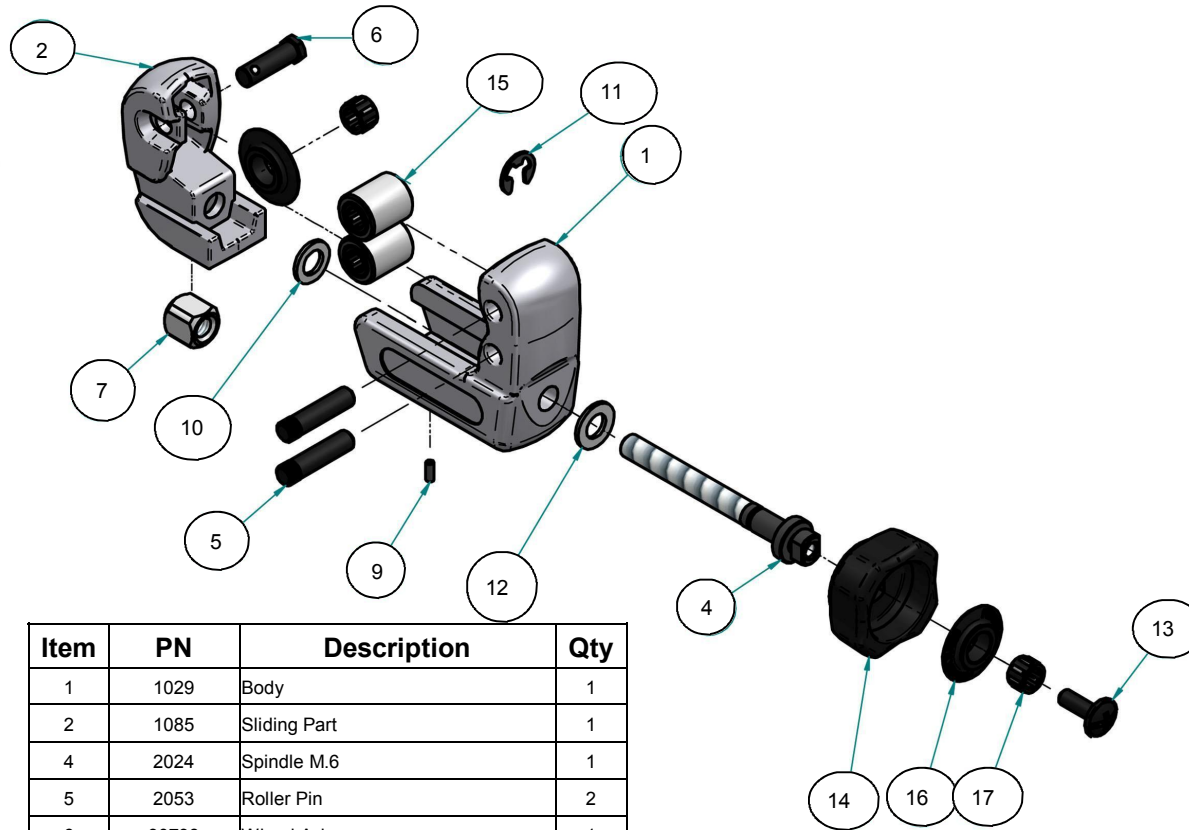


# Model 90724 1/8" - 1-1/8" SS Tubing Cutter



Item	PN	Description	Qty
1	1029	Body	1
2	1085	Sliding Part	1
4	2024	Spindle M.6	1
5	2053	Roller Pin	2
6	90798	Wheel Axis	1
7	2050	Steel Socket M.6	1
9	6335	Elastic Stop Pin 02x5	1
10	6104	Special Washer 06x011x1	1
11	6115	Security Washer 05	1
12	6106	Washer A6,4 Din 125	1
13	6036	Combo Screw M4x12	1
14	8102	Knob	1
15	6710	Rollers 012x14x18	2
16	90799	Cutting Wheel	2
17	4505	Needle Bearing 08x05x5	2

Wheeler-Rex  
 Ashtabula, Ohio  
[wheeler@wheelerrex.com](mailto:wheeler@wheelerrex.com)  
[www.wheelerrex.com](http://www.wheelerrex.com)

