

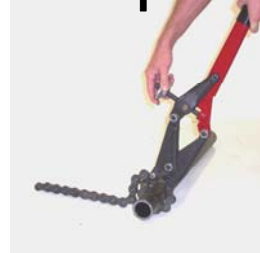
# 490 Ratchet Cutter Operation



1. Place pipe on outstretched chain next to cutter jaws. Turn hand wheel counterclockwise until jaws are fully open.



2. Wrap chain around pipe and engage nearest pin in upper jaw hooks.



3. Rotate hand wheel clockwise to remove slack from chain.



4. Place ratchet on head of drive screw and operate clockwise until pipe snaps off. If pipe has not cut before jaw wheels touch, turn counterclockwise until next pin can be engaged in jaw.

# 590 Manual Cutter Operation



1. Place pipe to be cut on outstretched chain next to cutter jaws. Open handles to 90°, grasp cutter as shown and rest on pipe.



2. Holding tool in this position, wrap chain around pipe with other hand. Pull chain tight and engage the No. 16 pin nearest to the upper jaws. Be sure surplus chain comes out over the top as



3. Close jaws, and use the adjusting screw #38 to adjust the jaws to the most comfortable cutting angle.



4. If you cannot achieve the proper angle with the #38 screw while the handles are closed, you have inserted the wrong pin. Disengage the chain and readjust the jaws to take the next pin. Grasp tool as shown, with one foot on lower handle and snap pipe with sharp downthrust. On extra heavy pipe, exert even downward pressure.

## Notes . . . . .

When cutting in a line, remove excess mud, scale and rust from surface of pipe where chain wheels will make contact. This will allow wheels to contact solid pipe for maximum penetration.

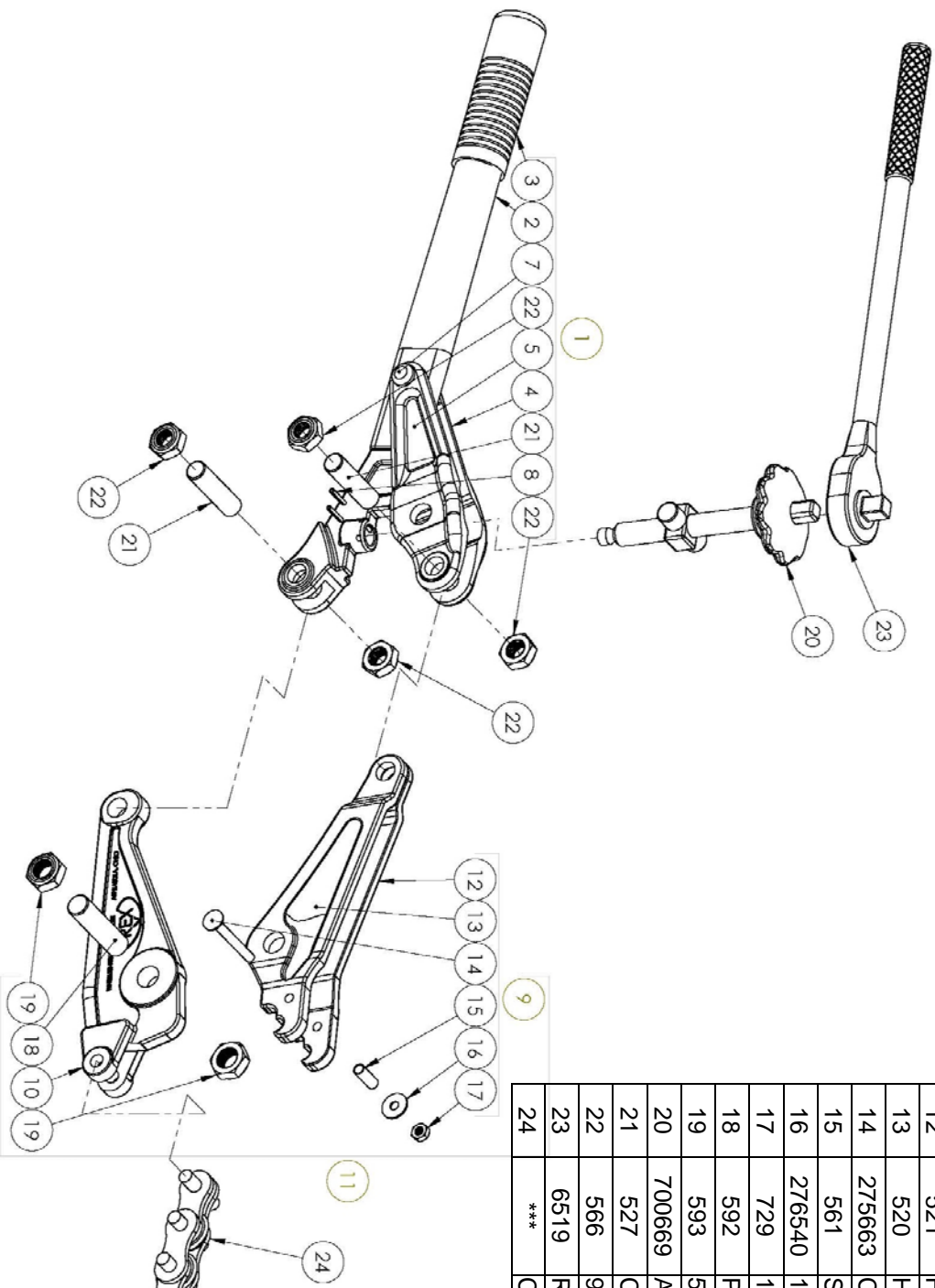
Once you have established which chain pin must be engaged for a specific pipe size, place a dab of paint (or other marking) on that pin for easy recognition. This helps to facilitate quick, sure, efficient operation for all cuts of the same pipe size.

### **Strict observance of all tools capacities must be adhered to.**

Be sure to comply with all OSHA regulations when operating cutter. Pipe or rollers may and often will separate with considerable force at a right angle to the cutter head. Be sure when putting cutting pressure on pipe, you are standing at the end of the handles facing the cutter or pipe and that there is no other personnel in the immediate area.

Part No	Description	Length	No. of Pins
522	Chain for 6" Pipe	26 1/4"	21
532	Chain for 6" Pipe with rollers for No-Hub	26 1/4"	21
528	Chain for 8" Pipe	36"	29
533	Chain for 8" Pipe with rollers for No-Hub	36"	29
5210	Chain for 10" Pipe	43 3/4"	35
5212	Chain for 12" Pipe	51"	41
5215	Chain for 15" Pipe	58 1/2"	47

Item	Part No	Description	Qty
1	421	HANDLE ASSEMBLY	1
2	420	HANDLE	1
3	580	GRIP	1
4	503	CHEEK, RIGHT	1
5	504	CHEEK, LEFT	1
6	446	STUB ONLY	1
7	534	RIVET	1
8	275556	1/8" DIA x 3/4" ROLL PIN	2
9	513	JAW ASSEMBLY, COMPLETE	1
10	510	MALE JAW	1
11	34	UPPER JAW ASSEMBLY	1
12	521	HALF JAW - RIGHT	1
13	520	HALF JAW - LEFT	1
14	275663	CHEEK SPACER BOLT	1
15	561	SPACER	1
16	276540	1/4" FLAT WASHER	1
17	729	1/4-20 Thin Esna Nut	1
18	592	PIVOT BOLT	1
19	593	5/8-18 HEX NYLON INSERT LOCKNUTS	2
20	700669	ADJUSTING SCREW ASSEMBLY	1
21	527	CONNECTION BOLT	2
22	566	9/16-12 ESNA STOP NUT	4
23	6519	RATCHET, 1/2" SQ. DRIVE	1
24	***	CHAIN (SEE CHAIN CHART)	1



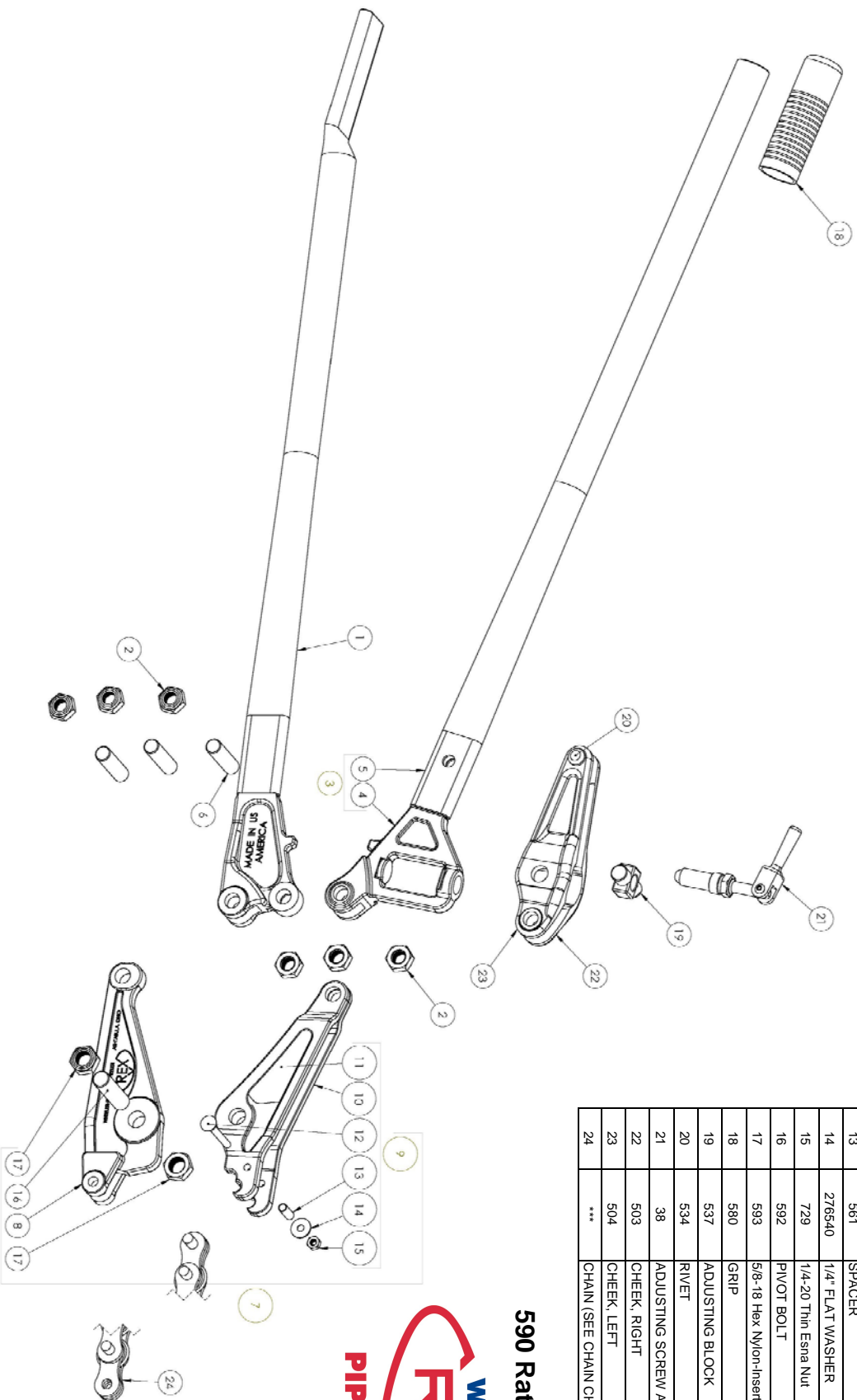
490 Ratchet Pipe Cutter



Part No	Description	Length	No. of Pins
522	Chain for 6" Pipe	26 1/4"	21
532	Chain for 6" Pipe with rollers for No-Hub	26 1/4"	21
528	Chain for 8" Pipe	36"	29
533	Chain for 8" Pipe with rollers for No-Hub	36"	29
5210	Chain for 10" Pipe	43 3/4"	35
5212	Chain for 12" Pipe	51"	41
5215	Chain for 15" Pipe	58 1/2"	47

Item	Part No	Description	Qty
1	560	BOTTOM HANDLE ASSEMBLY	1
2	566	9/16-12 ESNA STOP NUT	6
3	545	TOP HANDLE & STUB ASSEMBLY	1
4	518	STUB, LEFT	1
5	502	TOP HANDLE	1
6	527	CONNECTION BOLT	3
7	513	JAW ASSEMBLY, COMPLETE	1
8	510	MALE JAW	1
9	34	UPPER JAW ASSEMBLY	1
10	521	HALF JAW - RIGHT	1
11	520	HALF JAW - LEFT	1
12	275663	CHEEK SPACER BOLT	1
13	561	SPACER	1
14	276540	1/4" FLAT WASHER	1
15	729	1/4-20 Thin Esna Nut	1
16	592	PIVOT BOLT	1
17	593	5/8-18 Hex Nylon-Insert Locknuts	2
18	580	GRIP	1
19	537	ADJUSTING BLOCK	1
20	534	RIVET	1
21	38	ADJUSTING SCREW ASSEMBLY	1
22	503	CHEEK, RIGHT	1
23	504	CHEEK, LEFT	1
24	***	CHAIN (SEE CHAIN CHART)	1

### 590 Ratchet Pipe Cutter





## WHEELER-REX LIMITED LIFETIME WARRANTY

WHEELER-REX covers its products with a Limited Lifetime Warranty, with exception of pipe threading machines which have a Limited Three Year Warranty (including electric motors). Warranties from manufacturers of components used in our products may pre-empt the Wheeler-Rex warranty. Wheeler-Rex warranties against defects in material or workmanship. To take advantage of this warranty, the complete product must be delivered prepaid to Wheeler-Rex or any WHEELER-REX AUTHORIZED SERVICE CENTER. No tools are to be returned to the factory without receiving prior authorization. Obviously, failures due to misuse, abuse, or normal wear and tear are not covered by this warranty. NO OTHER WARRANTY, WRITTEN, OR ORAL, APPLIES. THERE ARE NO WARRANTIES WHICH EXTEND BEYOND THE DESCRIPTION ON THE FACE HEREOF. No employee, agent, dealer, or other person is authorized to give any warranty on behalf of Wheeler-Rex. Warranted products will be repaired or replaced at our option, at no charge and returned to you via prepaid transportation. Such replacement or repair is the exclusive remedy available from Wheeler-Rex. Wheeler-Rex is not liable for damage of any sort, including incidental and consequential damages. Some U.S.A. states do not allow the exclusion or limitation of incidental or consequential damages, so the above limitation or exclusion may not apply. This warranty gives you specific legal rights, and you may also have other rights which vary from state to state.

## WARNING

### GENERAL TOOL OPERATION WARNINGS

#### FOR ALL TOOLS-

1. **Keep Guards in Place** and in working order.
2. **Remove Adjusting Keys and Wrenches** from tool before turning it on.
3. **Keep Work Area Clean.** Cluttered areas and benches invite accidents.
4. **Avoid Dangerous Environment.** Don't use power tools in damp or wet locations. Keep work area well lit. Don't expose power tools to rain.
5. **If you must use an electric tool in a damp or wet location,** make sure it is plugged into a circuit which is protected by a ground fault interrupt.
6. **Keep Children Away. ALL VISITORS SHOULD BE KEPT A SAFE DISTANCE FROM WORK AREA.**
7. **Store Idle Tools** in dry, high, or locked-up place out of reach of children.
8. **Don't Force Tool.** It will do a better and safer job at the rate for which it is designed.
9. **Use Right Tool.** Don't force a small tool or attachment to do the job of a heavy-duty tool.
10. **Wear Proper Apparel.** No loose clothing or jewelry to get caught in moving parts. Rubber gloves and footwear are recommended when working outdoors.
11. **Use Safety Glasses.**
12. **Don't Abuse Cord.** Never carry tool by cord or yank it to disconnect from receptacle. Keep cord from heat, oil, and sharp edges.
13. **Secure Work.** Use clamps or vise to hold work when practical. It's safer than using your hand and it frees both hands to operate tool.
14. **Don't Overreach.** Keep proper footing and balance at all times.
15. **Maintain Tools Properly.** Keep tools sharp and clean for best and safest performance. Follow instructions for lubricating and changing accessories. Equipment operators must have proper maintenance & instruction sheets. Be sure the tool operator reads and understands this information. If you don't have current maintenance and instruction sheets, contact the factory & we will supply them at no charge.
16. **Disconnect Tools** when not in use; before servicing; when changing accessories such as dies, cutters, etc.
17. **Avoid Accidental Starting.** Don't carry plugged-in tool with finger on switch. Be sure switch is off when plugging in.
18. **Outdoor Use Extension Cords.** When tool is used outdoors, use only extension cords suitable for use outdoors and so marked.
19. **Wear Ear Protection** if exposed to long periods of very noisy shop operations.
20. **Do not operate tools** while under the influence of alcohol, drugs or medication.