

**WHEELER-REX PROFESSIONAL TOOLS**

# **Power** **PLASTIC PIPE BEVELER**



**Model 9000**

*Capacity: 4" and up (100mm)  
HD 8 amp 25,000 rpm motor, 115V*

**Model 9230**

*Capacity: 4" and up (100mm)  
HD 6 amp 230V, 60Hz motor*

**Model 9050**

*Capacity: 4" and up (100mm)  
Pneumatic 1-1/2 hp, 20,000 rpm*

Wheeler-Rex power bevelers are designed for a wide variety of situations including high production applications. Our advanced HSS cutter design makes a smooth 15° bevel, which is adjustable for length and depth.

This line of power bevelers is easy to use and drastically reduces beveling time—especially on large pipe sizes or when doing production beveling. A 15° Solid Carbide Cutter Bit is available as an optional accessory.



Wheeler Manufacturing, Division of Rex International U.S.A., Inc.  
P.O. Box 688, 3744 Jefferson Road, Ashtabula, Ohio 44005

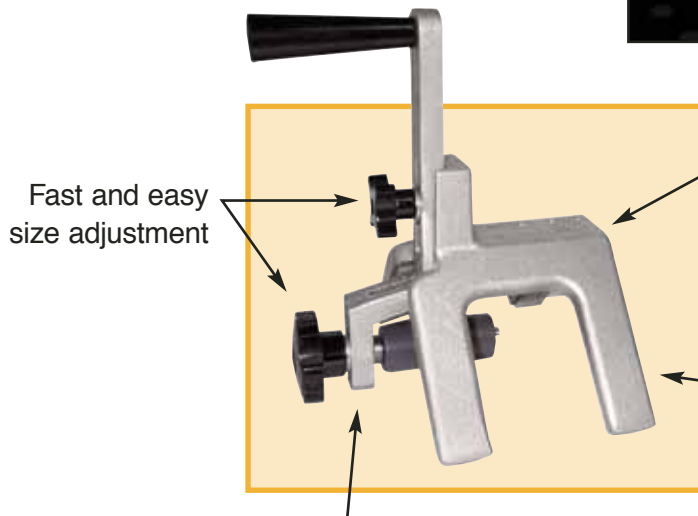
**Phone: 440-998-2788 Fax: 440-992-2925 Toll-Free: 1-800-321-7950 [www.wheelerrex.com](http://www.wheelerrex.com)**

# HAND OPERATED PLASTIC PIPE BEVELER

## Model 9015

Capacity: 1-1/2" through 12" (38-300mm) Diameter

The Universal Plastic Pipe Beveler makes a 15° bevel on SDR35 and SCH 40 thermoplastic pipe 1-1/2" through 12" capacity. It is lightweight and easily adjusts to different wall thicknesses for beveling and deburring.



Unlike other manufacturers' bevelers, the Wheeler-Rex Model 9015 has a wide saddle, which won't twist or dig into the pipe.

Lightweight aluminum body and blade bar

Tool steel blade—easily replaceable



Wheeler Manufacturing, Division of Rex International U.S.A., Inc.  
P.O. Box 688, 3744 Jefferson Road, Ashtabula, Ohio 44005

Phone: 440-998-2788 Fax: 440-992-2925 Toll-Free: 1-800-321-7950 [www.wheelerrex.com](http://www.wheelerrex.com)