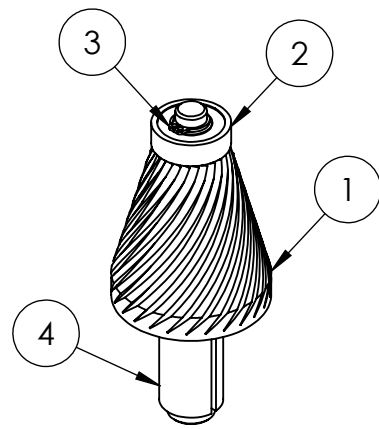
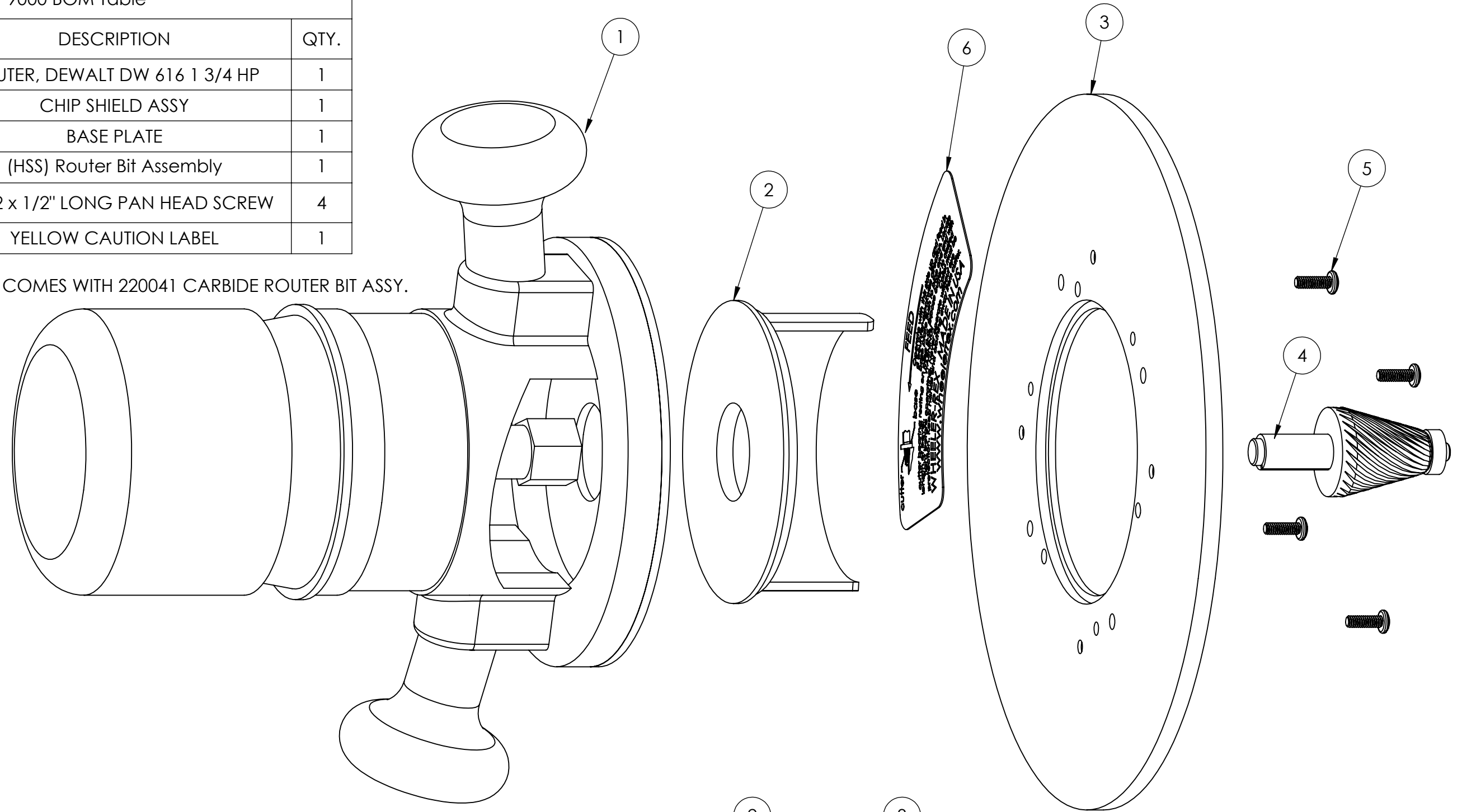


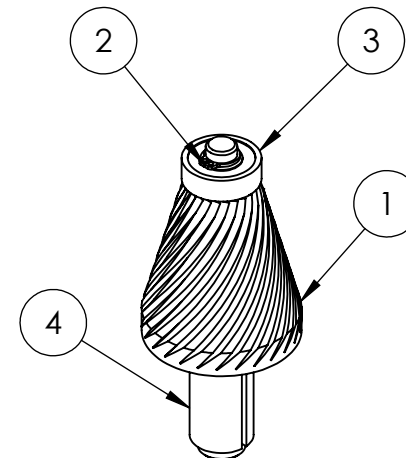
9000 BOM Table

ITEM NO.	PART NUMBER	DESCRIPTION	QTY.
1	275244	ROUTER, DEWALT DW 616 1 3/4 HP	1
2	220064	CHIP SHIELD ASSY	1
3	220061	BASE PLATE	1
4	220234	(HSS) Router Bit Assembly	1
5	275002	#8-32 x 1/2" LONG PAN HEAD SCREW	4
6	220368	YELLOW CAUTION LABEL	1

NOTE: 9001 ASSEMBLY COMES WITH 220041 CARBIDE ROUTER BIT ASSY.



220041 Carbide Cutter Bit Assembly			
ITEM NO.	PART NUMBER	DESCRIPTION	QTY.
1	220042	CARBIDE ROUTER CUTTER	1
2	275001	BEARING	1
3	275000	Retaining Ring	1
4	700844	COLLET ADAPTER	1



220234 HSS Cutter Bit Assembly			
ITEM NO.	PART NUMBER	DESCRIPTION	QTY.
1	220219	HSS ROUTER CUTTER	1
2	275000	Retaining Ring	1
3	275001	BEARING	1
4	700844	COLLET ADAPTER	1